

目录 |

CONTENTS

LOONG

01. truss structure

02. event stage

03. stage lighting

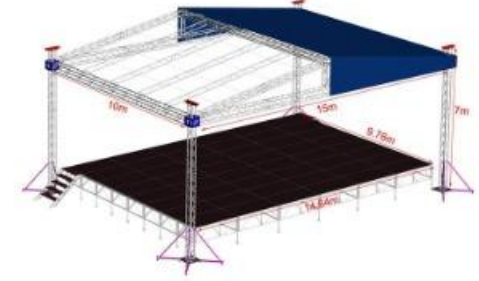
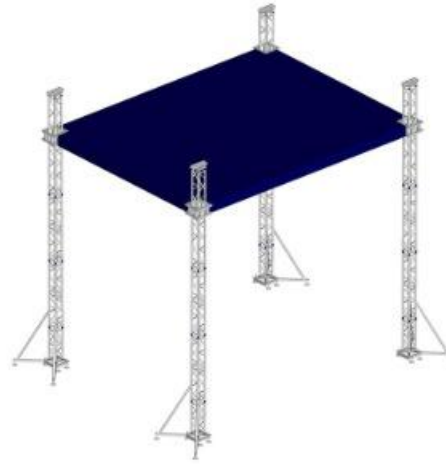
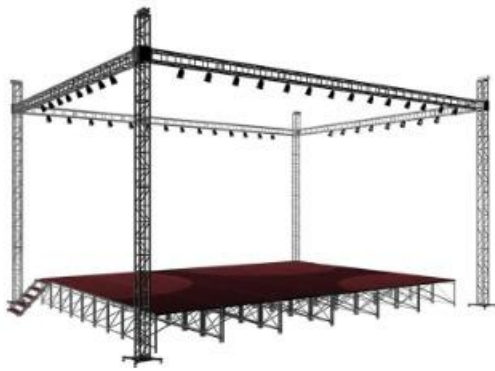
04. working scaffold & tools

05. other event needs

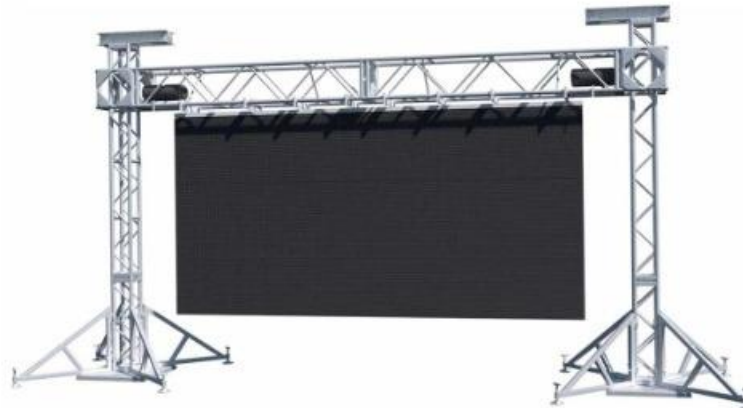
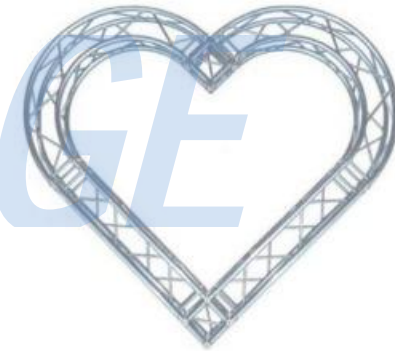
STAGE

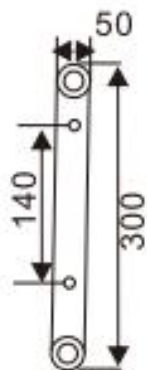
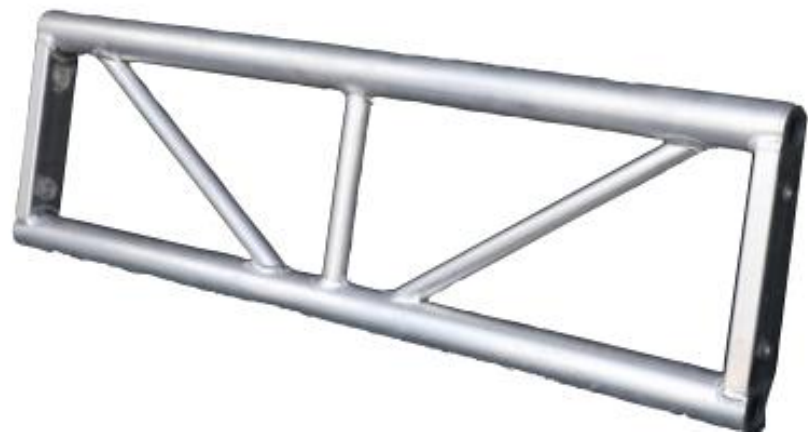
LOADING STAGE

TRUSS STRUCTURE



LONG STAGE





BL30

截面 Section: Ladder 300x50mm





主管 Main tube: 50x3.0mm

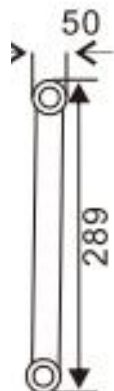
副管 Braces: 30x2.0mm

斜管 Inlined tube: 20x2.0mm

长度 Length: 0.5/1/2/3/4m

材质 Material: Aluminum 6061-T6

跨度 Span(m)	1m	2m	2m	4m	5m	6m
 (kg/m)	992.2	399	171	88	50	26
 (mm)	0	1	2	3	3	3
 (kg)	992.2	280	94.66	37	16.8	7.33
 (mm)	0	1	2	2	2	2



CL30

截面 Section: Ladder 289x50mm





主管 Main tube: 50x3.0mm

副管 Braces: 30x2.0mm

斜管 Inlined tube: 20x2.0mm





长度 Length: 0.5/1/2/3/4m

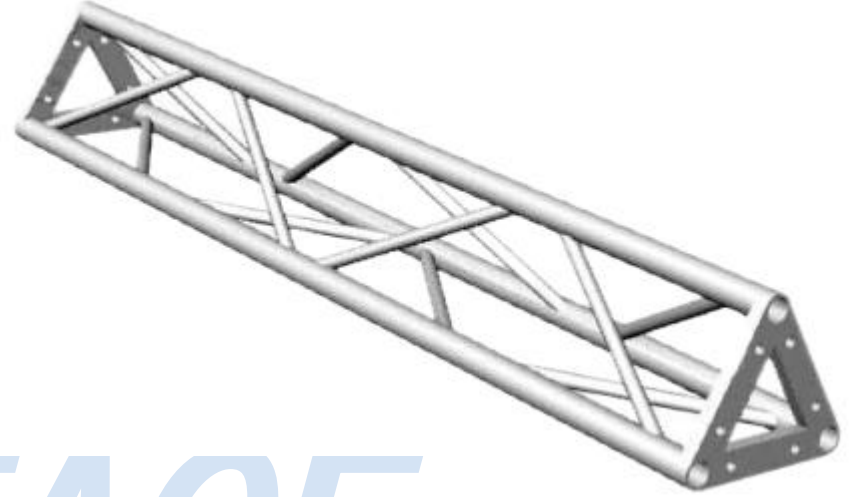
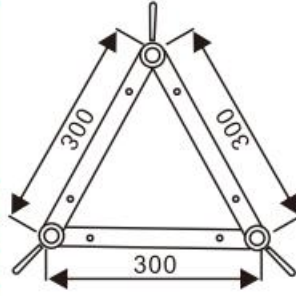
材质 Material: Aluminum 6082-T6

跨度 Span(m)	1m	2m	2m	4m	5m	6m
 (kg/m)	1010	452	223	135	80	56
 (mm)	2	4	4	6	6	7
 (kg)	1007	690	368	185	125	68
 (mm)	2	6	8	10	12	12

LOONG STAGE



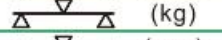

BT30

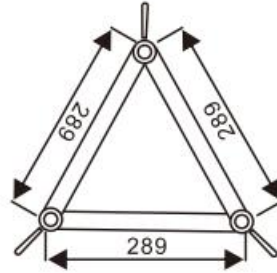
截面 Section: Triangular 300x300mm	斜管 Inelined tube: 25x2.0mm					
主管 Main tube: 50x3.0mm	长度 Length: 0.5/1/2/3/4m					
副管 Braces: 30x2.0mm	材质 Material: Aluminum 6061-T6					
跨度 Span(m)	4m	5m	6m	8m	10m	12m
 (kg/m)	460	200	120	70	48	25
 (mm)	5	12	30	76	112	148
 (kg)	1200	800	500	400	300	200
 (mm)	5	20	28	48	62	93

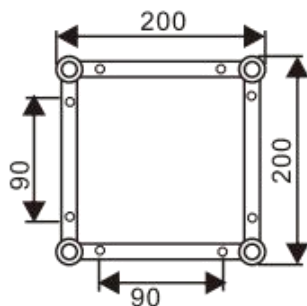
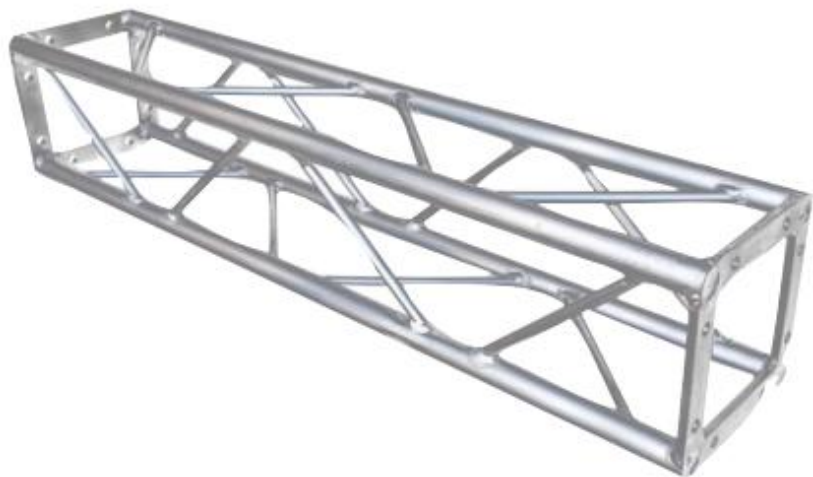


LOONG STAGE

CT30

截面 Section: Triangular 289x289mm	斜管 Inelined tube: 20x2.0mm					
主管 Main tube: 50x3.0mm	长度 Length: 0.5/1/2/3/4m					
副管 Braces: 25x2.0mm	材质 Material: Aluminum 6082-T6					
跨度 Span(m)	4m	5m	6m	8m	10m	12m
 (kg/m)	460	200	120	70	48	25
 (mm)	5	12	30	76	112	148
 (kg)	1200	800	500	400	300	200
 (mm)	5	20	28	48	62	93





BS20

截面 Section: Square 200x200mm

主管 Main tube: 30x2.0mm

副管 Braces: 20x2.0mm

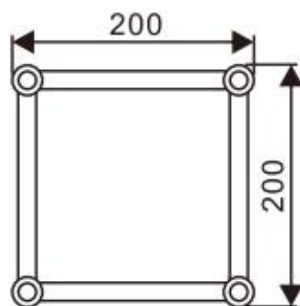
斜管 Inlined tube: 12x2.0mm

长度 Length: 0.5/1/2/2.5m

材质 Material: Aluminum 6061-T6

跨度 Span(m)	2m	3m	4m	5m	6m	8m
(kg/m)	165	85	48	20	15	10
(mm)	6	14	22	37	40	75
(kg)	240	100	70	40	30	25
(mm)	10	17	36	55	82	100

LOONG STAGE



CS20

截面 Section: Square 200x200mm

主管 Main tube: 30x2.0mm

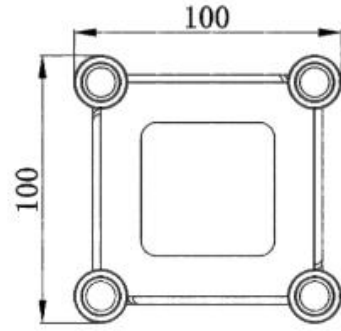
副管 Braces: 20x2.0mm

斜管 Inlined tube: 12x2.0mm

长度 Length: 0.5/1/2/2.5m

材质 Material: Aluminum 6082-T6

跨度 Span(m)	2m	3m	4m	5m	6m	8m
(kg/m)	180	96	55	32	23	15
(mm)	4	12	21	37	44	90
(kg)	300	200	180	120	50	40
(mm)	5	20	55	57	85	126



CS10

截面 Section: Square 100x100mm

主管 Main tube: 20x2.0mm

副管 Braces: 80x80x5.0mm

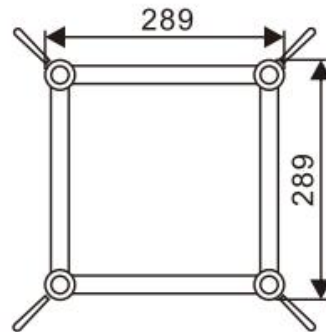
斜管 Inelined tube: 6mm

长度 Length: 0.5/1/1/1.5m

材质 Material: Aluminum 6082-T6

跨度 Span(m)	1.5m	/	/	/	/	/
(kg/m)	20	/	/	/	/	/
(mm)	2	/	/	/	/	/
(kg)	150	/	/	/	/	/
(mm)	3	/	/	/	/	/

LOONG STAGE



CS30

截面 Section: Square 289x289mm

主管 Main tube: 50x3.0mm

副管 Braces: 25x2.0mm

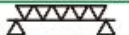

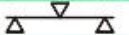

斜管 Inelined tube: 20x2.0mm

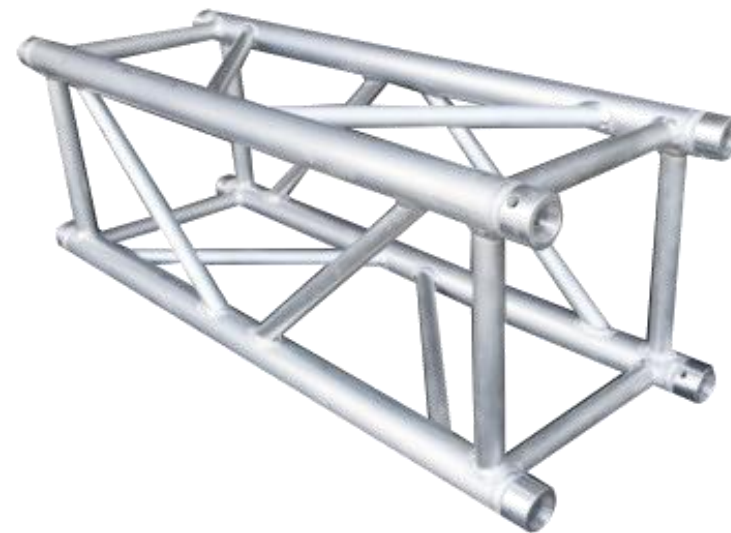
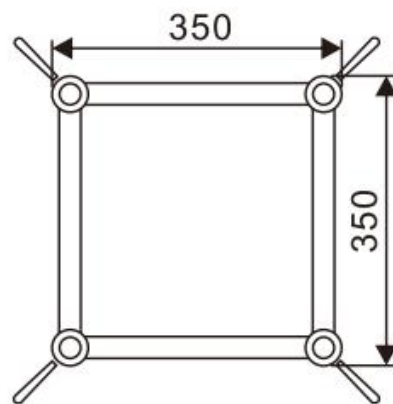
长度 Length: 0.5/1/2/3/4m

材质 Material: Aluminum 6082-T6

跨度 Span(m)	4m	5m	6m	8m	10m	12m	14m
(kg/m)	520	280	200	120	84	55	35
(mm)	5	12	33	76	112	148	171
(kg)	1800	1000	700	550	450	360	250
(mm)	8	20	33	57	62	93	126


CS35

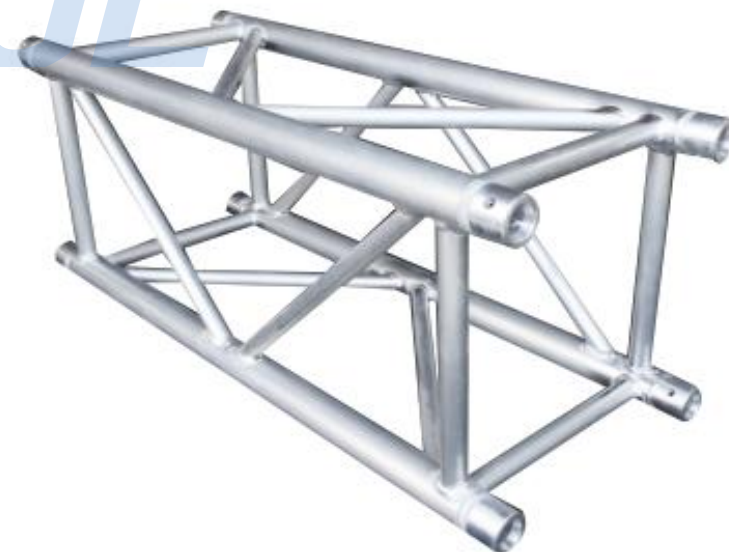
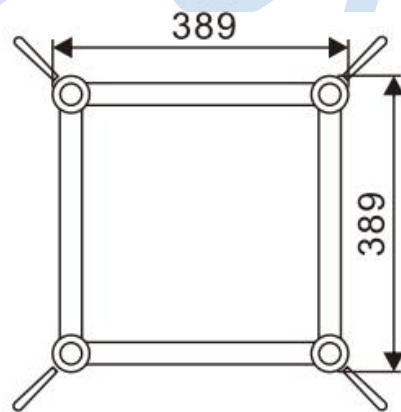
截面 Section: Square 350x350mm	斜管 Inelined tube: 20x2.0mm						
主管 Main tube: 50x3.0mm	长度 Length: 0.5/1/2/3/4m						
副管 Braces: 25x2.0mm	材质 Material: Aluminum 6082-T6						
跨度 Span(m)	4m	5m	6m	8m	10m	14m	16m
 (kg/m)	530	300	200	135	94	45	30
 (mm)	6	14	35	80	116	175	210
 (kg)	2000	1200	800	600	550	300	250
 (mm)	10	25	35	62	72	130	180



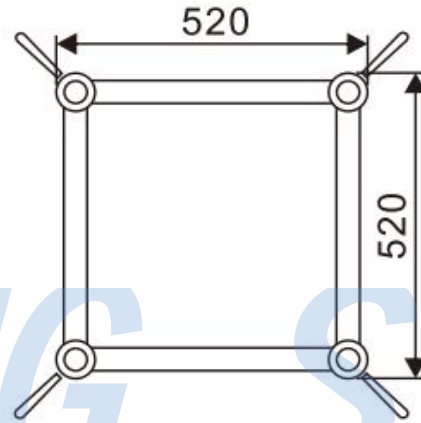
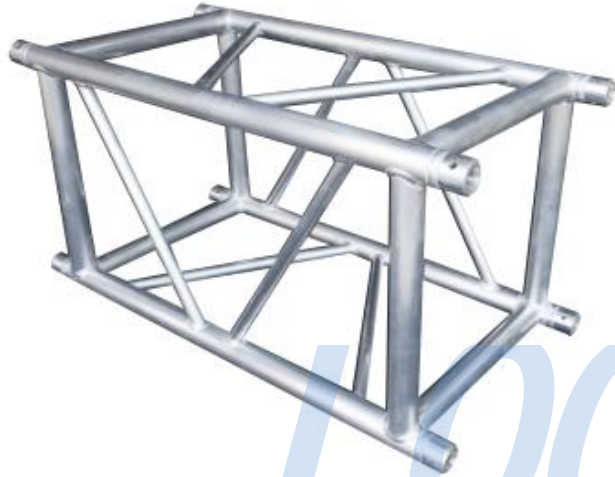
LOONG STAGE

CS40

截面 Section: Square 389x389mm	斜管 Inelined tube: 25x2.0mm							
主管 Main tube: 50x3.0mm	长度 Length: 0.5/1/2/3/4m							
副管 Braces: 30x2.0mm	材质 Material: Aluminum 6082-T6							
跨度 Span(m)	4m	6m	8m	10m	12m	14m	16m	18m
 (kg/m)	580	310	200	145	107	60	46	35
 (mm)	20	30	54	80	102	151	170	192
 (kg)	1800	1150	760	650	510	440	350	340
 (mm)	5	33	57	80	110	126	163	208



CONICAL COUPLER TRUSS

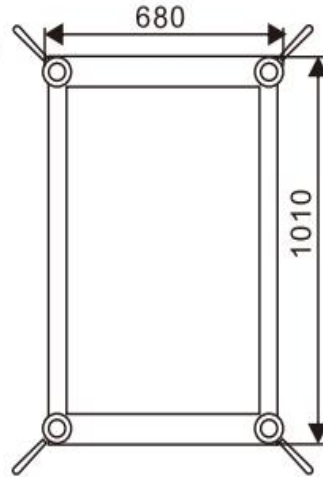


CS52

截面 Section: Square 520x520mm
 主管 Main tube: 50x3.0mm
 副管 Braces: 50x2.0mm

斜管 Inelined tube: 25x2.0mm
 长度 Length: 0.5/1/2/3/4m
 材质 Material: Aluminum 6082-T6

跨度 Span(m)	4m	6m	8m	10m	12m	14m	16m	18m	20m
(kg/m)	700	420	276	180	130	90	63	50	26
(mm)	4	16	20	30	54	80	102	151	170
(kg)	2300	1510	1200	900	750	620	550	500	350
(mm)	15	28	42	85	104	138	162	205	260

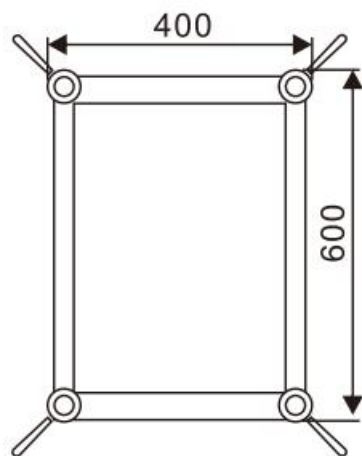
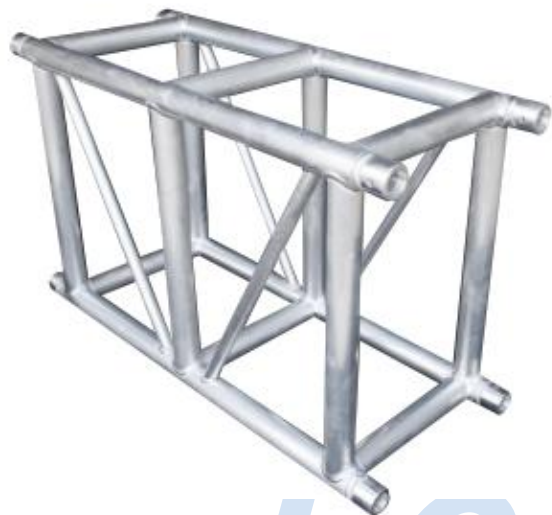


CS68101

截面 Section: Square 670x1010mm
 主管 Main tube: 50x5.0mm
 副管 Braces: 50x3.0mm

斜管 Inelined tube: 30x2.0mm
 长度 Length: 0.5/1/2/3/4m
 材质 Material: Aluminum 6082-T6

跨度 Span(m)	12m	14m	16m	18m	20m	22m	24m	26m	28m	30m	32m	36m	40m
(kg/m)	368	288	250	199	199	199	199	102	78	67	67	40	30
(mm)	20	35	65	85	85	85	126	147	180	208	208	292	362
(kg)	2800	2436	2010	1500	1500	1400	1211	1056	900	800	800	500	320
(mm)	15	23	48	64	64	76	116	133	160	157	157	280	238



CS4060

截面 Section: Square 400x600mm

主管 Main tube: 50x3.0mm

副管 Braces: 50x2.0mm

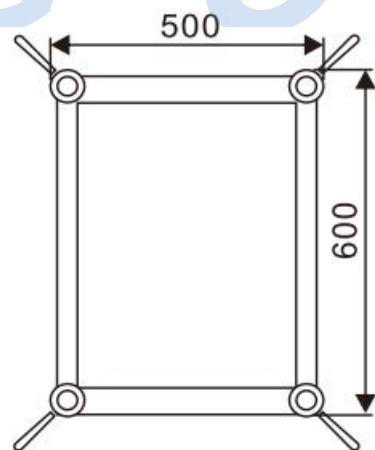
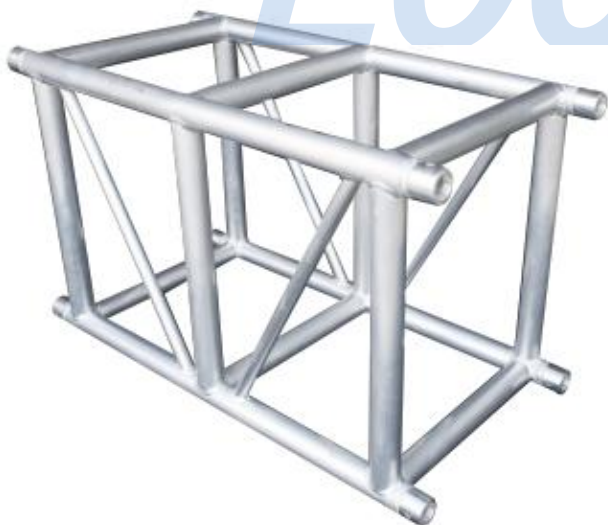
斜管 Inlined tube: 25x2.0mm

长度 Length: 0.5/1/2/3/4m

材质 Material: Aluminum 6082-T6

跨度 Span(m)	4m	6m	8m	10m	12m	14m	16m	18m	20m
(kg/m)	700	430	270	187	130	92	68	50	30
(mm)	5	12	33	54	80	102	151	170	203
(kg)	2350	1580	1300	1150	850	670	565	500	400
(mm)	11	23	41	65	79	103	138	172	215

LOONG STAGE



CS5060

截面 Section: Square 500x600mm

主管 Main tube: 50x3.0mm

副管 Braces: 50x2.0mm



斜管 Inlined tube: 25x2.0mm

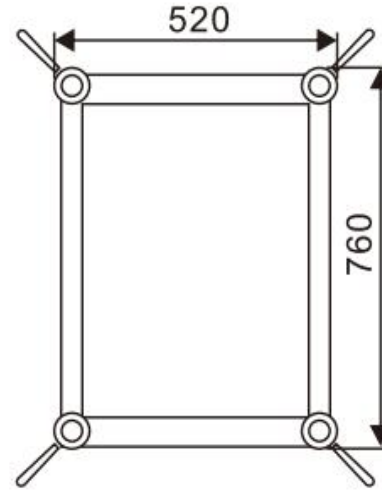
长度 Length: 0.5/1/2/3/4m

材质 Material: Aluminum 6082-T6

跨度 Span(m)	4m	6m	8m	10m	12m	14m	16m	18m	20m	22m
(kg/m)	800	450	179	125	108	85	58	42	35	23
(mm)	5	17	25	42	85	104	138	162	205	260
(kg)	2480	1640	1420	1230	1000	880	655	600	500	400
(mm)	8	15	32	47	89	140	153	168	200	267

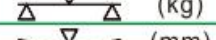
CS5276

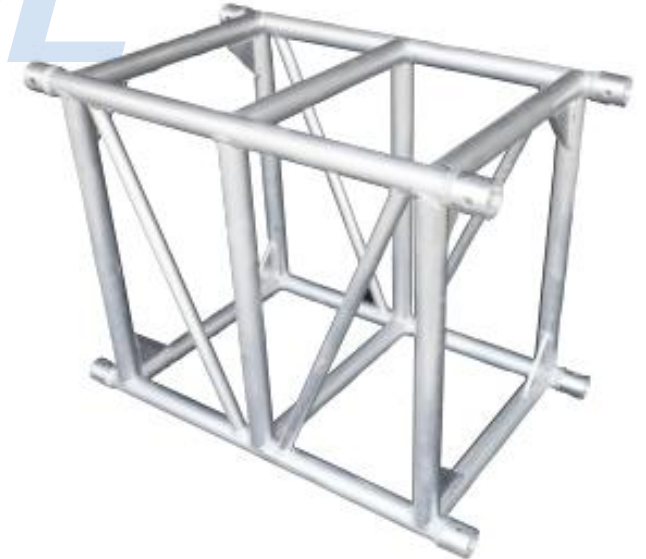
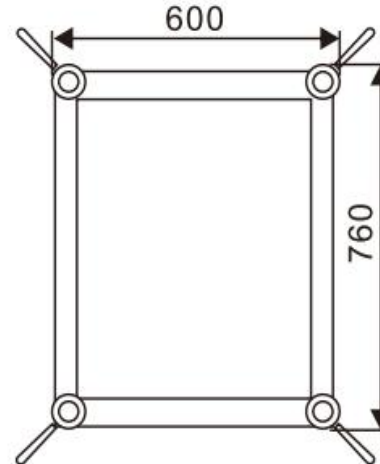
截面 Section: Square 520x760mm		斜管 Inelined tube: 30x2.0mm									
主管 Main tube: 50x4.0mm		长度 Length: 0.5/1/2/3/4m									
副管 Braces: 50x2.0mm		材质 Material: Aluminum 6082-T6									
跨度 Span(m)	4m	6m	8m	10m	12m	14m	16m	18m	20m	22m	24m
 (kg/m)	870	460	280	185	132	95	68	55	42	42	25
 (mm)	17	28	41	66	95	133	166	200	230	230	350
 (kg)	2860	1850	1567	1285	1122	1054	880	700	550	550	360
 (mm)	23	41	65	79	93	118	132	165	177	177	280



LOONG STAGE

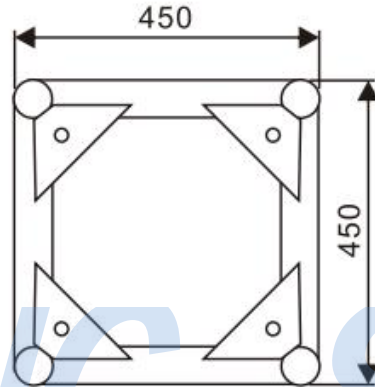
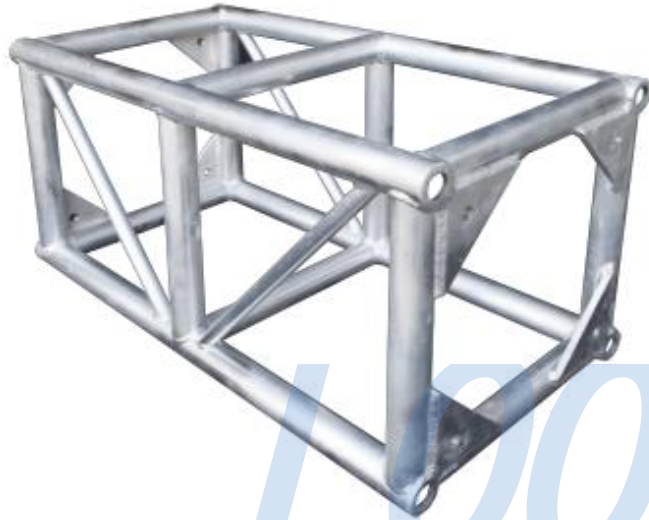
CS6076

截面 Section: Square 600x760mm		斜管 Inelined tube: 25x2.0mm									
主管 Main tube: 50x4.0mm		长度 Length: 0.5/1/2/3/4m									
副管 Braces: 50x2.0mm		材质 Material: Aluminum 6082-T6									
跨度 Span(m)	4m	6m	8m	10m	12m	14m	16m	18m	20m	22m	24m
 (kg/m)	920	490	295	199	146	118	74	65	60	40	30
 (mm)	14	30	42	67	92	138	167	202	235	290	350
 (kg)	3000	1850	1567	1365	1228	1060	883	708	555	900	370
 (mm)	25	43	62	68	93	115	135	154	174	216	275



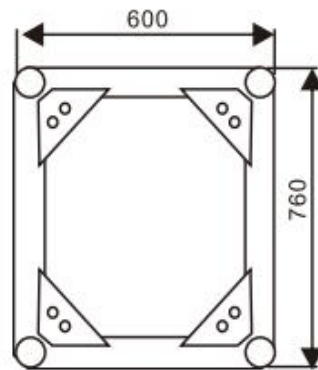
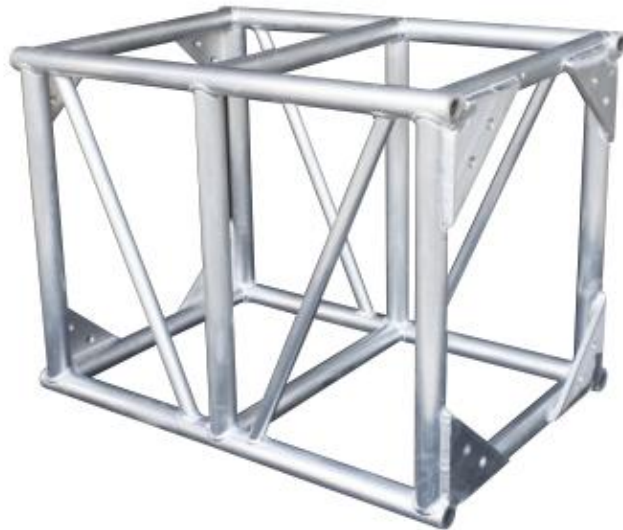
ENDPLATE TRUSS

BS 45



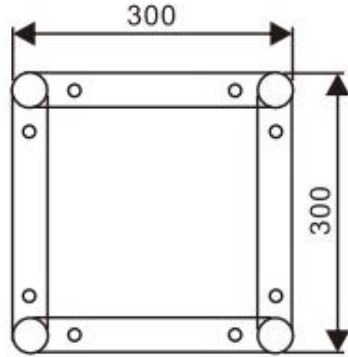
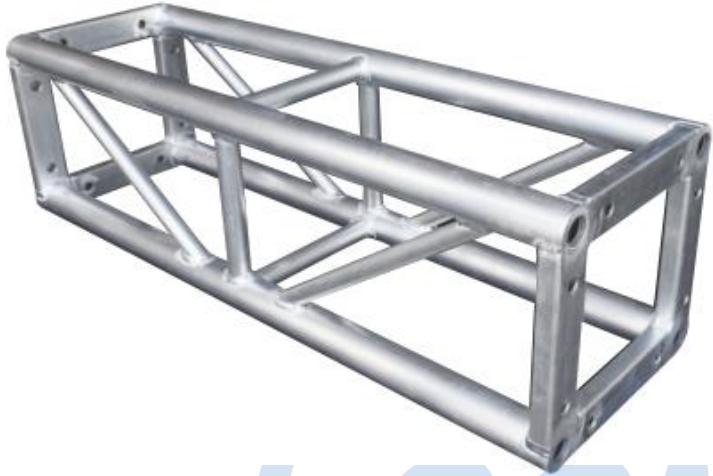
截面 Section: Square 450X450mm												
主管 Main tube: 50X3.0mm												
副管 Braces: 50X2.0mm												
斜管 Inclined tube: 25X2.0mm												
长度 Length: 0.5/1/2/3/4m												
材质 Material: 6061-T6												
跨度 Span(m)	2m	3m	4m	5m	6m	8m	10m	12m	14m	16m	18m	
(kg/m)	2000	1200	750	440	300	188	120	83	57	37	23	
(mm)	2	4	9	22	30	61	90	135	141	177	200	
(kg)	3200	2400	2000	1400	900	700	600	500	400	300	200	
(mm)	4	8	15	33	46	85	122	158	203	213	236	

BS 6076



截面 Section: Square 600x760mm												
主管 Main tube: 50x4.0mm												
副管 Braces: 50x2.0mm												
斜管 Inclined tube: 30x2.0mm												
长度 Length: 0.5/1/2/3/4m												
材质 Material: Aluminum 6061-T6												
跨度 Span(m)	4m	5m	6m	8m	10m	12m	14m	16m	18m	22m	24m	
(kg/m)	1200	720	600	350	240	167	128	100	78	45	33	
(mm)	3	14	37	62	84	105	138	175	211	302	340	
(kg)	3600	2600	2100	1800	1400	1200	1000	800	600	300	200	
(mm)	8	21	47	81	100	126	157	188	233	358	282	

BS 30



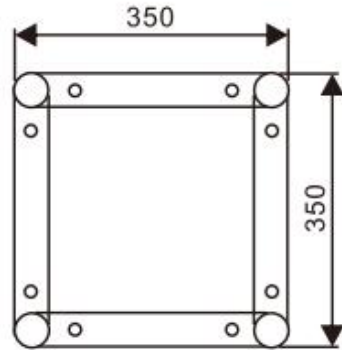
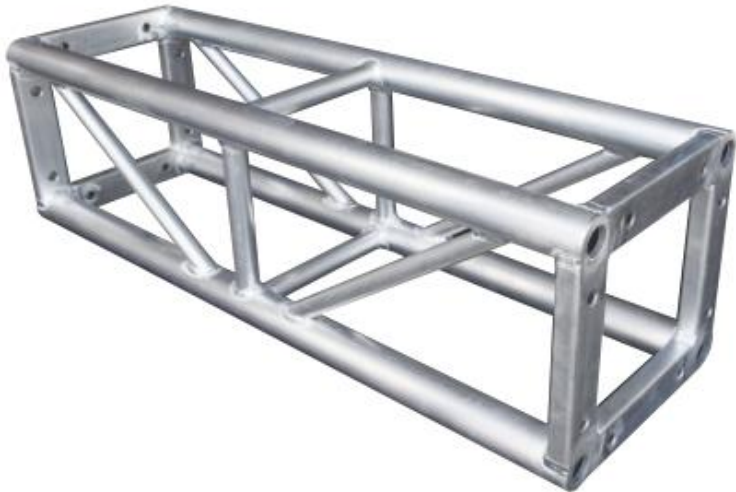
截面 Section: Square 300x300mm
 主管 Main tube: 50x3.0mm
 副管 Braces: 50x2.0mm

斜管 Inelined tube: 25x2.0mm
 长度 Length: 0.5/1/2/3/4m
 材质 Material: Aluminum 6061-T6

跨度 Span(m)	2m	3m	4m	5m	6m	8m	10m
(kg/m)	1200	700	450	200	135	70	40
(mm)	6	13	26	44	63	97	136
(kg)	1750	1400	1100	650	400	200	100
(mm)	10	17	36	53	80	102	133

LOONG STAGE

BS 35




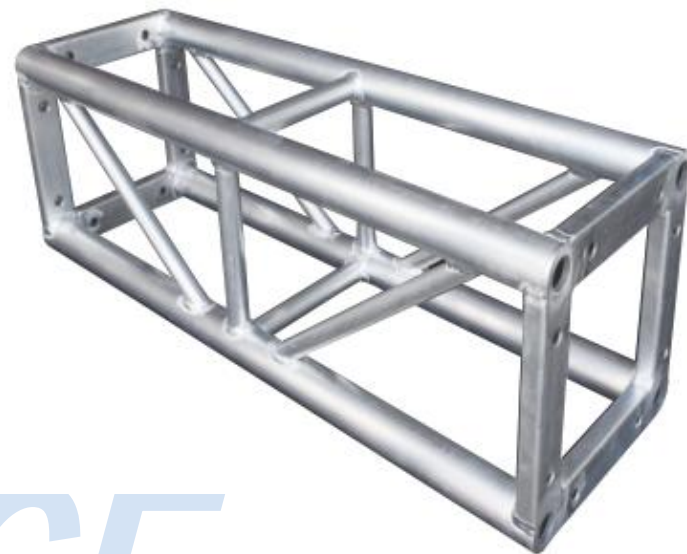
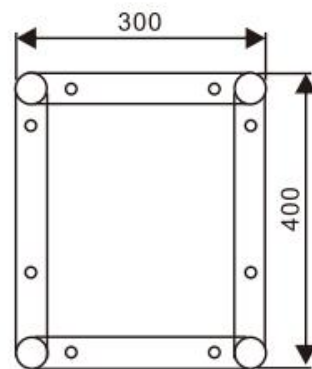
截面 Section: Square 350x350mm
 主管 Main tube: 50x3.0mm
 副管 Braces: 50x2.0mm

斜管 Inelined tube: 25x2.0mm
 长度 Length: 0.5/1/2/3/4m
 材质 Material: Aluminum 6061-T6

跨度 Span(m)	2m	3m	4m	5m	6m	8m	10m	12m
(kg/m)	1400	800	480	230	145	80	50	28
(mm)	6	13	22	41	65	98	136	141
(kg)	1800	1600	1200	750	450	300	200	100
(mm)	10	14	40	61	80	95	117	155

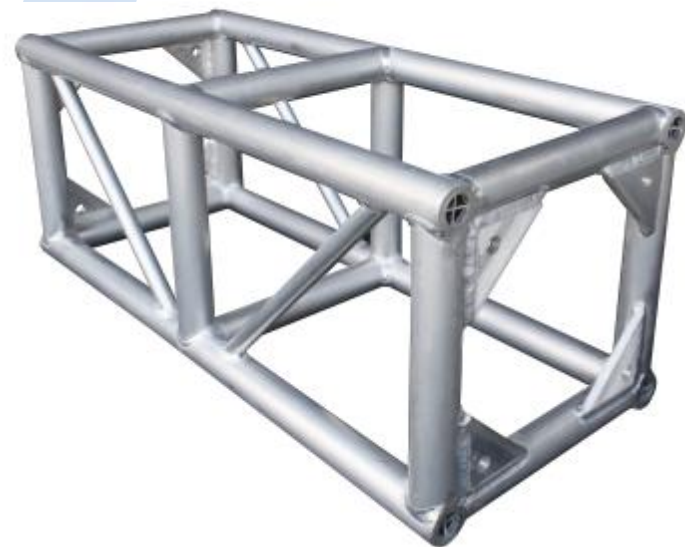
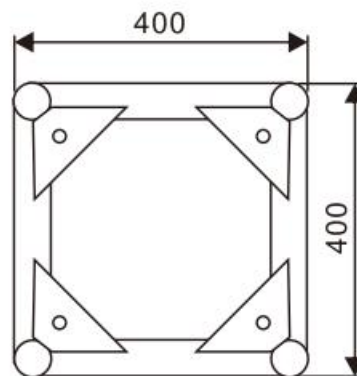
BS3040

截面 Section: Square 300x400mm		斜管 Inelined tube: 25x2.0mm						
主管 Main tube: 50x3.0mm		长度 Length: 0.5/1/2/3/4m						
副管 Braces: 30x2.0mm		材质 Material: Aluminum 6061-T6						
跨度 Span(m)	2m	3m	4m	5m	6m	8m	10m	12m
 (kg/m)	1500	860	500	280	150	80	50	28
 (mm)	6	13	22	41	65	98	136	151
 (kg)	1800	1600	1200	750	450	300	200	100
 (mm)	11	18	34	58	83	90	115	129



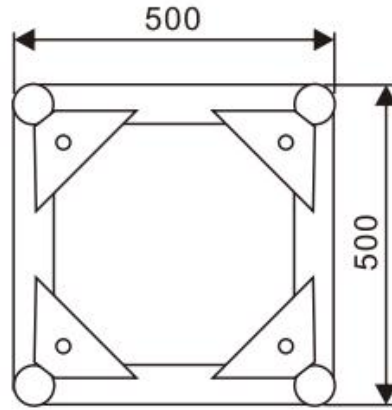
BS 40



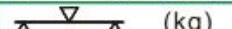

截面 Section: Square 400x400mm		斜管 Inelined tube: 25x2.0mm								
主管 Main tube: 50x3.0mm		长度 Length: 0.5/1/2/3/4m								
副管 Braces: 50x2.0mm		材质 Material: Aluminum 6061-T6								
跨度 Span(m)	2m	3m	4m	5m	6m	8m	10m	12m	14m	16m
 (kg/m)	1800	1080	625	370	230	130	70	50	37	20
 (mm)	6	18	22	41	70	98	131	180	180	570
 (kg)	3000	2000	1400	900	800	600	450	300	300	130
 (mm)	10	17	36	55	70	100	93	133	133	153



LOADING STAGE

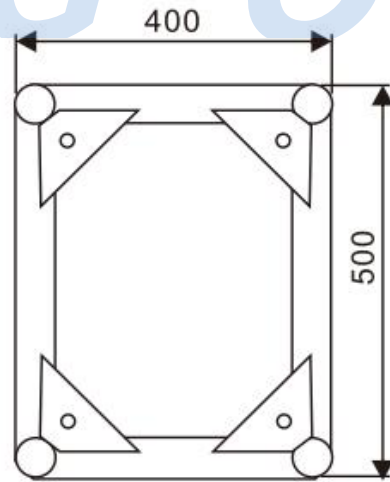
BS 50

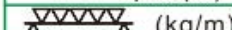
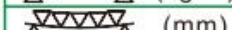




截面 Section: Square 500x500mm 主管 Main tube: 50x3.0mm 副管 Braces: 50x2.0mm		斜管 Inelined tube: 25x2.0mm 长度 Length: 0.5/1/2/3/4m 材质 Material: Aluminum 6061-T6								
跨度 Span(m)	4m	5m	6m	8m	10m	12m	14m	16m	18m	
 (kg/m)	800	520	400	250	150	80	62	35	20	
 (mm)	7	15	30	61	95	130	177	220	267	
 (kg)	2600	1800	1600	1200	800	600	400	200	160	
 (mm)	11	22	43	80	95	155	193	233	288	




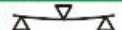
LOONG STAGE

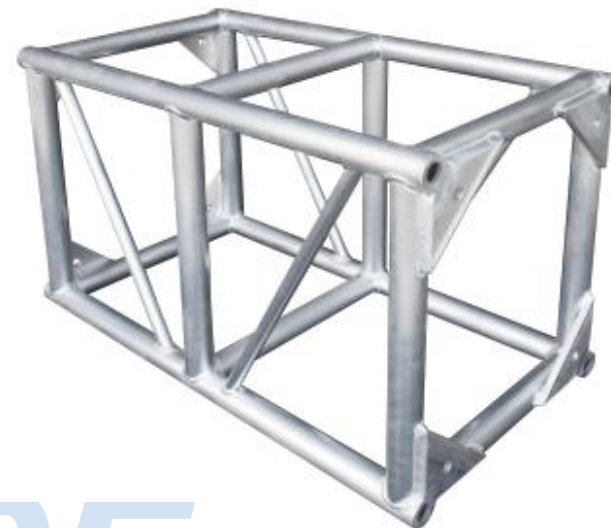
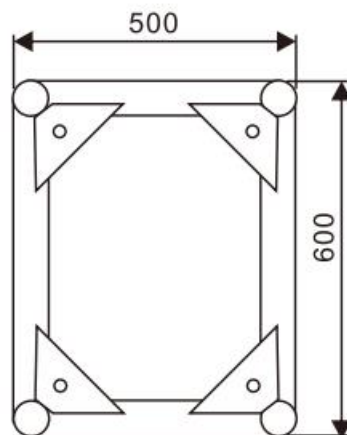
BS 4050



截面 Section: Square 400x500mm 主管 Main tube: 50x3.0mm 副管 Braces: 50x2.0mm		斜管 Inelined tube: 25x2.0mm 长度 Length: 0.5/1/2/3/4m 材质 Material: Aluminum 6061-T6								
跨度 Span(m)	4m	5m	6m	8m	10m	12m	14m	16m	18m	
 (kg/m)	800	520	400	250	150	80	62	35	20	
 (mm)	7	15	30	61	95	130	177	220	267	
 (kg)	2600	1800	1600	1200	800	600	400	200	160	
 (mm)	11	22	43	80	95	155	193	233	288	




BS 5060

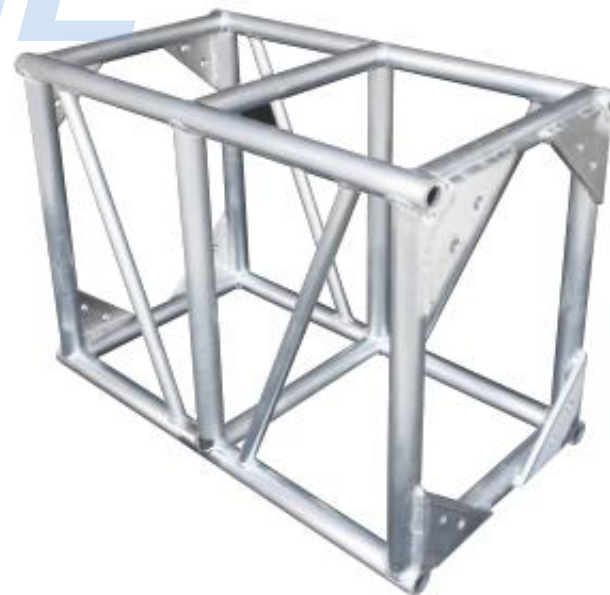
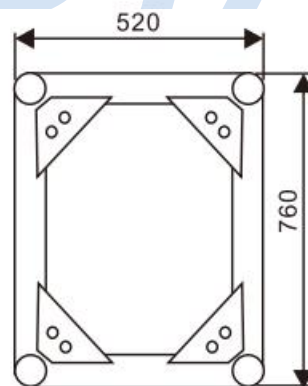
截面 Section: Square 500x600mm		斜管 Inelined tube: 25x2.0mm									
主管 Main tube: 50x3.0mm		长度 Length: 0.5/1/2/3/4m									
副管 Braces: 50x2.0mm		材质 Material: Aluminum 6061-T6									
跨度 Span(m)	4m	5m	6m	8m	10m	12m	14m	16m	18m	20m	
 (kg/m)	1000	610	500	350	190	133	96	65	50	30	
 (mm)	6	14	37	62	84	100	128	155	194	244	
 (kg)	3000	2200	1900	1400	1000	750	600	450	300	200	
 (mm)	13	29	45	85	100	126	147	188	213	278	







LOONG STAGE

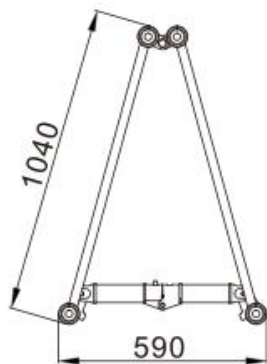
BS 5276

截面 Section: Square 520x760mm		斜管 Inelined tube: 30x2.0mm									
主管 Main tube: 50x4.0mm		长度 Length: 0.5/1/2/3/4m									
副管 Braces: 50x2.0mm		材质 Material: Aluminum 6061-T6									
跨度 Span(m)	4m	5m	6m	8m	10m	12m	14m	16m	18m	20m	22m
 (kg/m)	110	670	550	300	220	170	130	94	67	50	36
 (mm)	4	12	25	61	81	105	131	151	192	235	295
 (kg)	3200	2400	2000	1600	1100	800	700	600	500	300	200
 (mm)	9	22	37	86	100	123	163	175	200	253	323



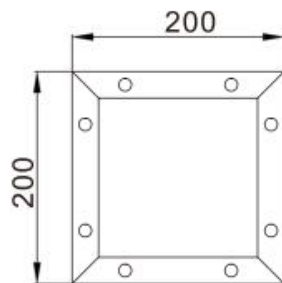
CS104

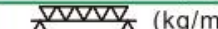
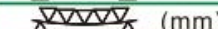


截面 Section: Square 1040x590mm	斜管 Inelined tube: $\varnothing 50 \times 2.0 \text{mm}$							
主管 Main tube: $\varnothing 50 \times 4.0 \text{mm}$	长度 Length: 1/2/2.5/3/4m							
副管 Braces: $\varnothing 50 \times 3.0 \text{mm}$	材质 Material: Aluminum 6082-T6							
跨度 Span (m)	14m	16m	20m	24m	28m	30m	32m	36m
 (kg/m)	267	213	172	128	97	78	58	37
 (mm)	51	68	92	137	186	219	281	364
 (kg)	2150	1950	1500	1150	920	830	680	510
 (mm)	41	49	73	106	133	162	235	273



LOONG STAGE

BS20A



截面 Section: Square 200x200mm	斜管 Inelined tube: 10x2.0mm					
主管 Main tube: 25x25x2.0mm	长度 Length: 0.5/1/2/2.5m					
副管 Braces: 25x25x2.0mm	材质 Material: Aluminum 6061-T6					
跨度 Span (m)	2m	3m	4m	5m	6m	8m
 (kg/m)	171	90	53	28	19	11
 (mm)	7	15	26	35	42	75
 (kg)	235	105	71	38	31	23
 (mm)	25	43	56	68	79	93

BS30A

截面 Section: Square 300x300mm

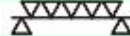
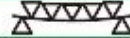
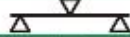
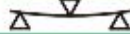
主管 Main tube: $\varnothing 50 \times 3.0 \text{mm}$

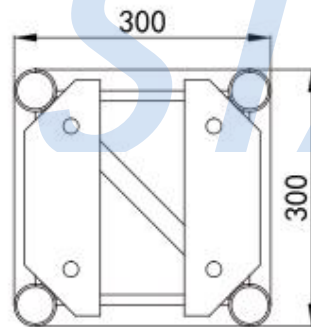
副管 Braces: $\varnothing 50 \times 2.0 \text{mm}$

斜管 Inelined tube: 25x2.0mm

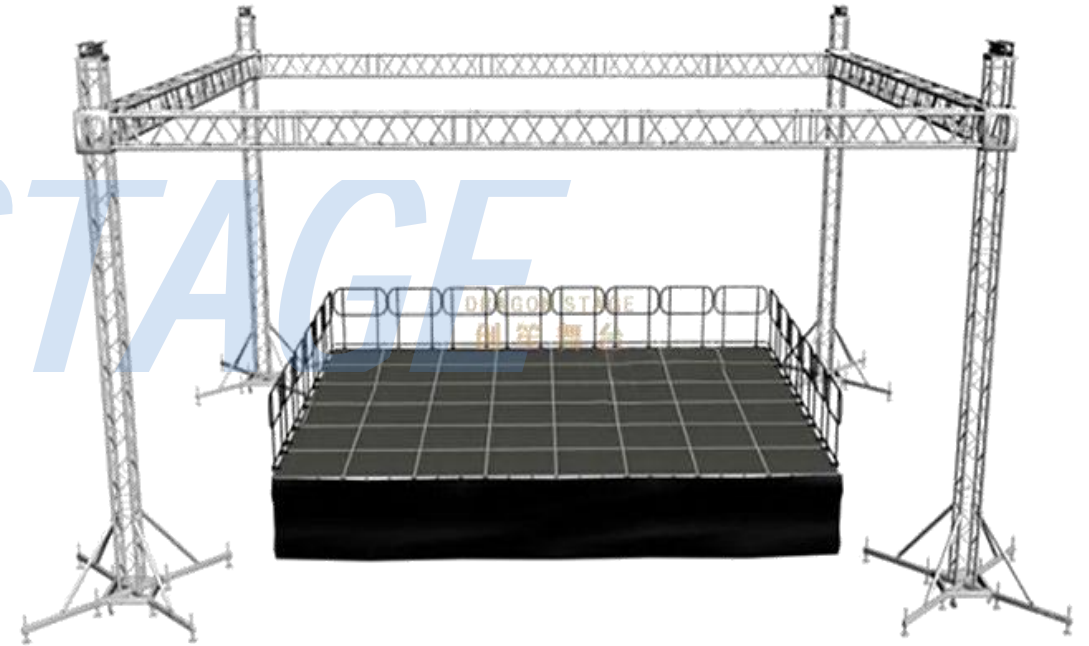
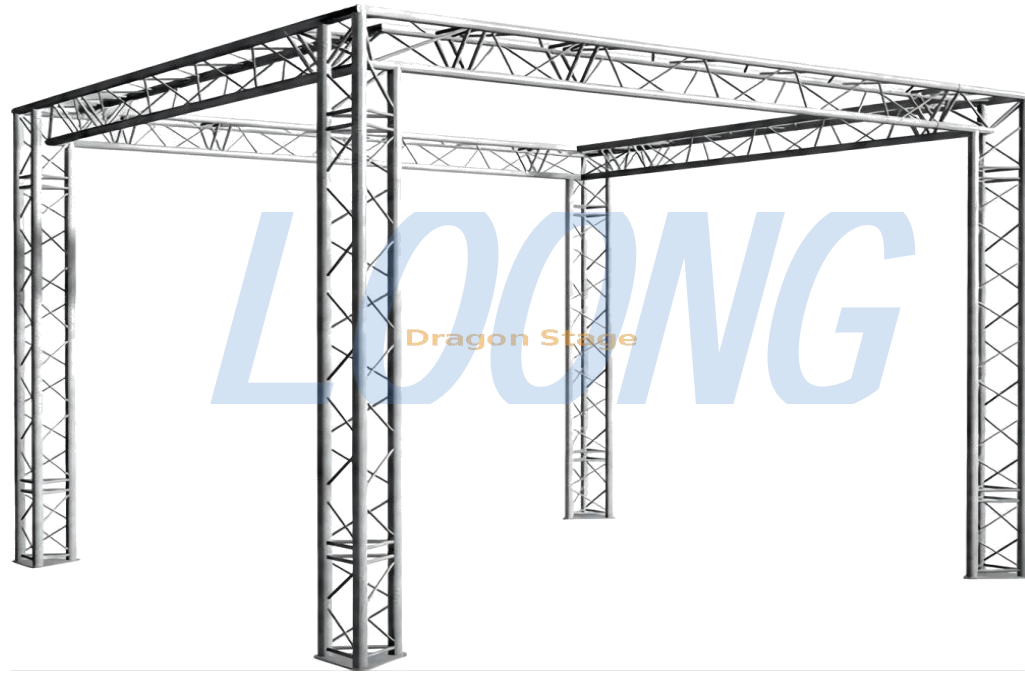
长度 Length: 0.5/1/2/2.5m

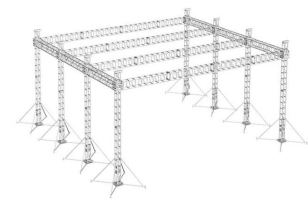
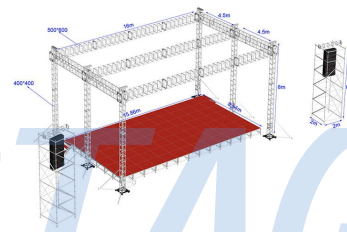
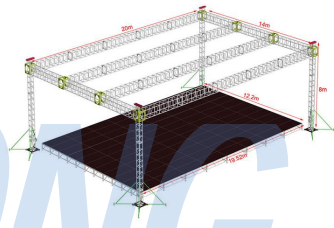
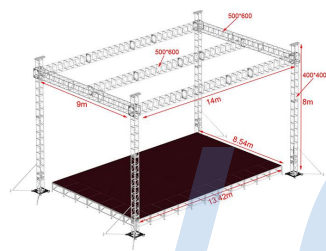
材质 Material: Aluminum 6061-T6

跨度 Span (m)	2m	3m	4m	5m	6m	8m	10m
 (kg/m)	1200	700	450	200	135	70	40
 (mm)	6	13	26	44	63	97	136
 (kg)	1750	1400	1100	650	400	200	100
 (mm)	10	17	36	53	80	102	133

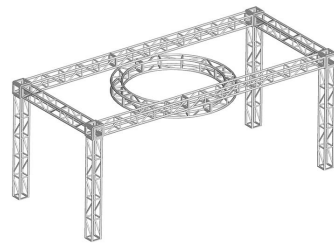
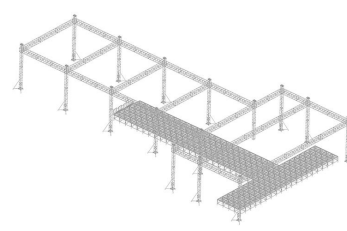
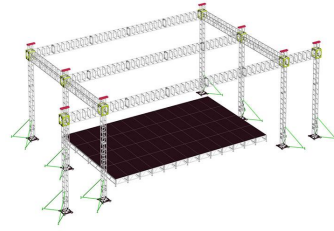
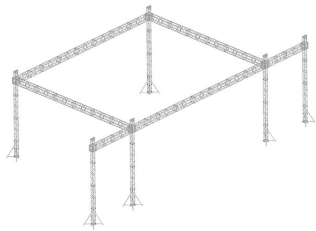


Non Roof Truss System

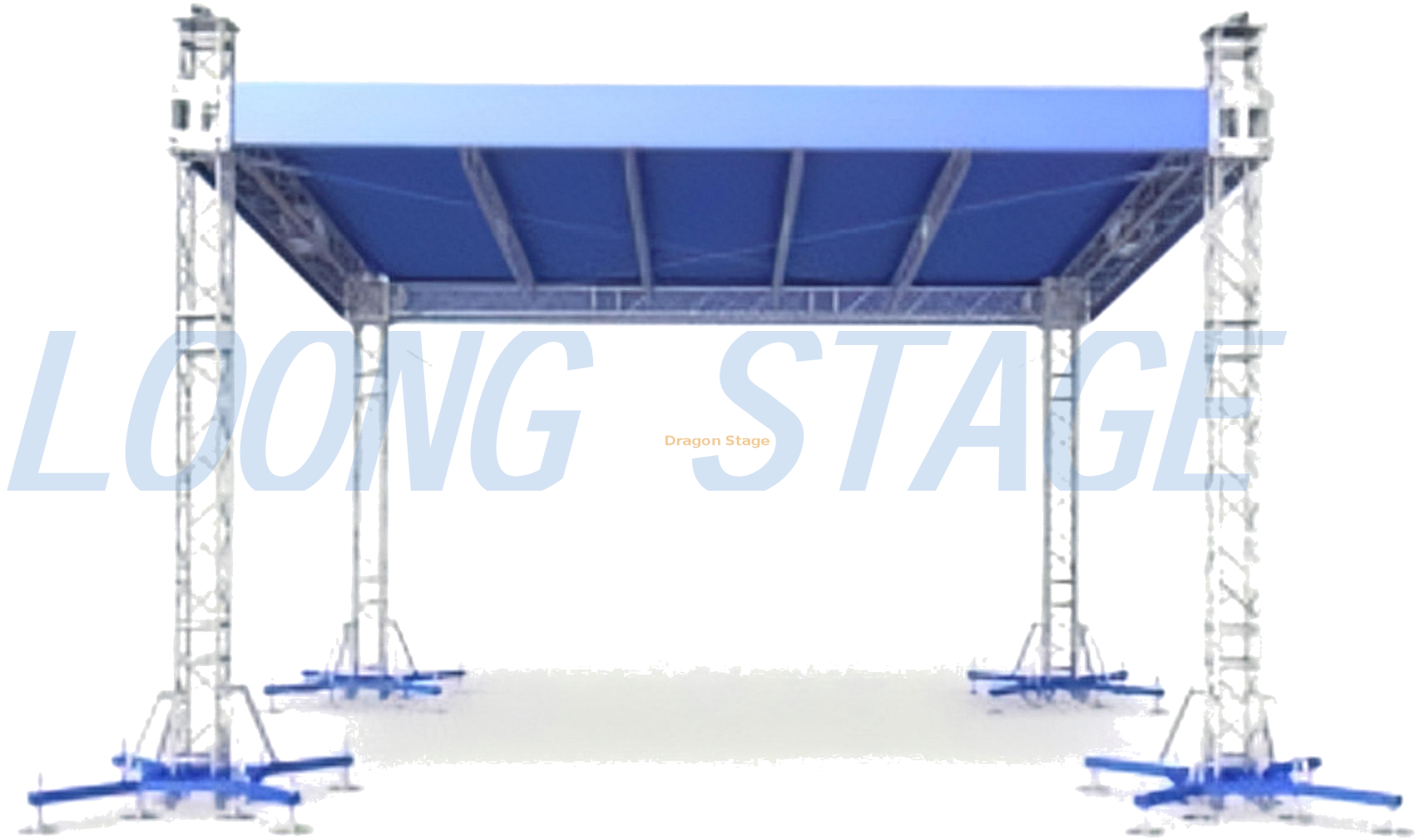


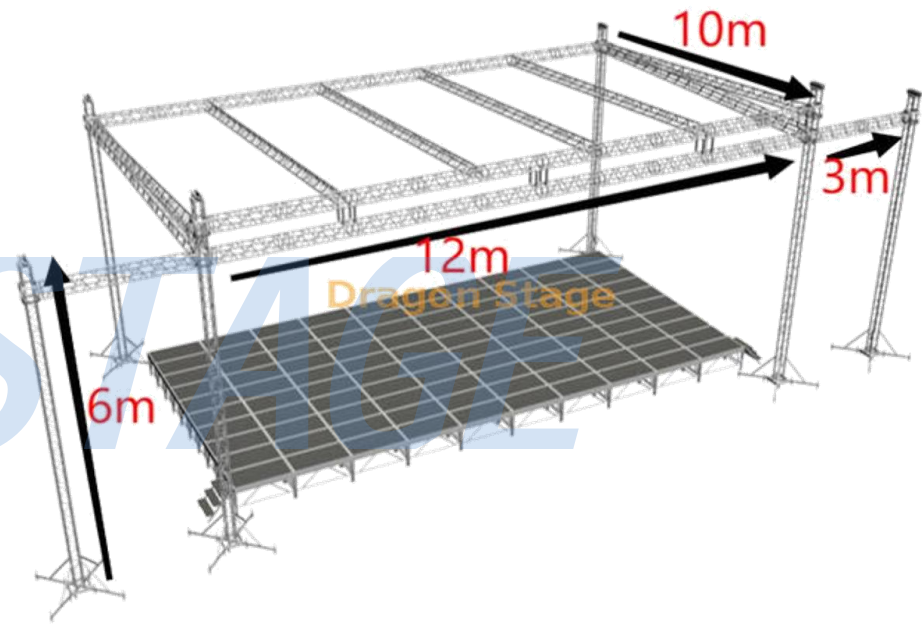
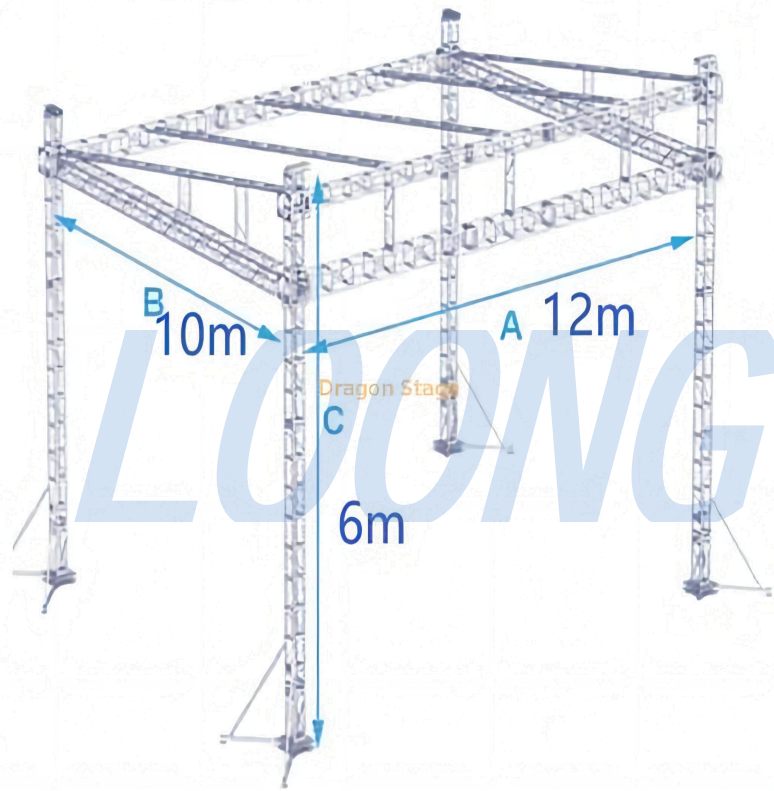


LONG STAGE

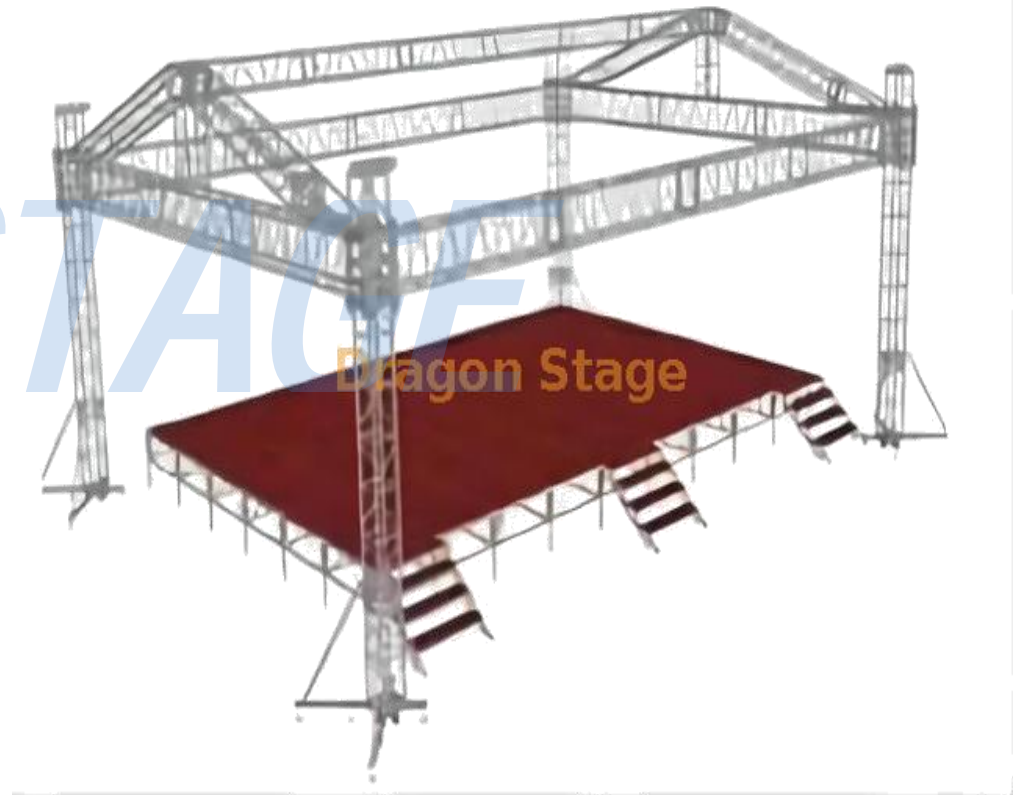
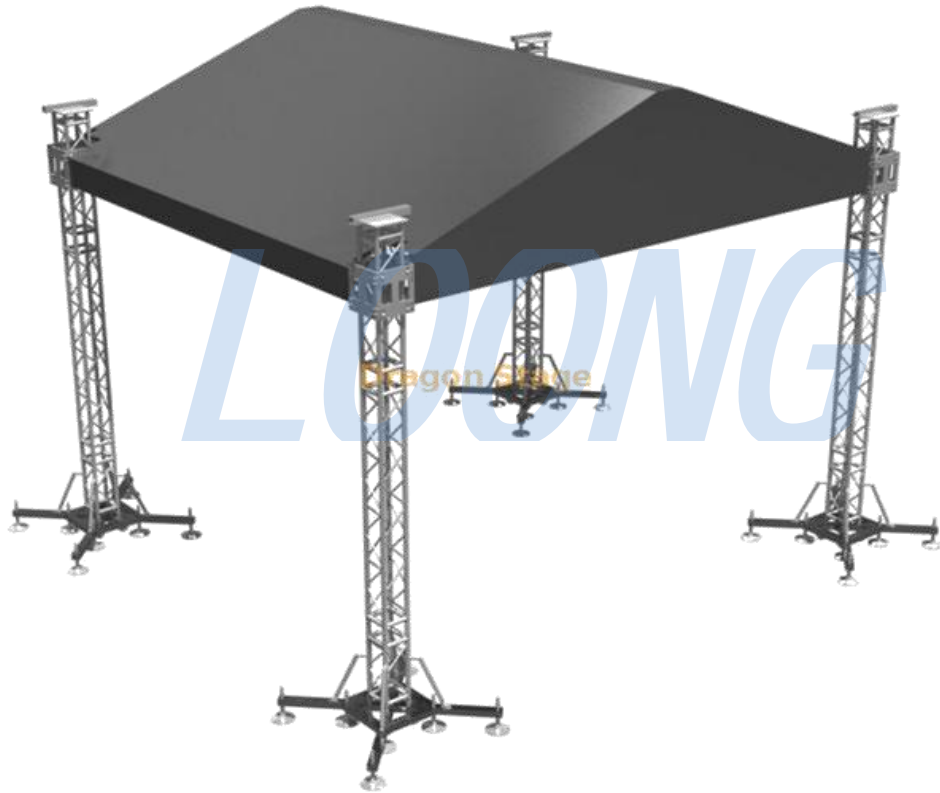


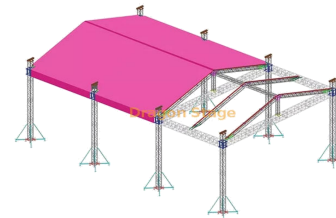
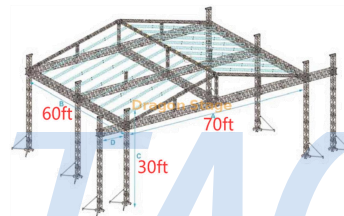
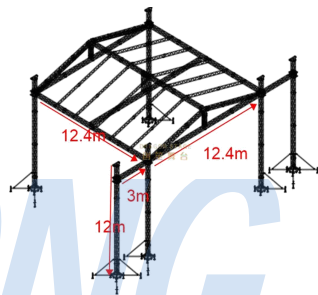
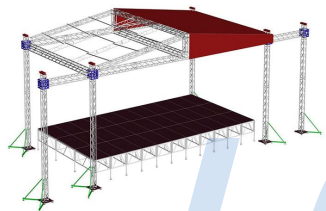
Flat Roof Truss System



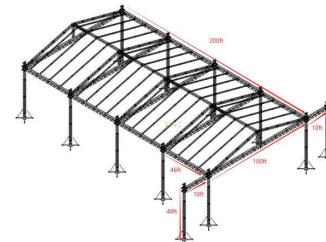
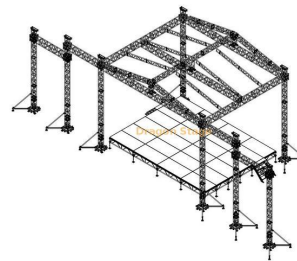
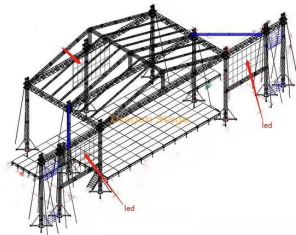
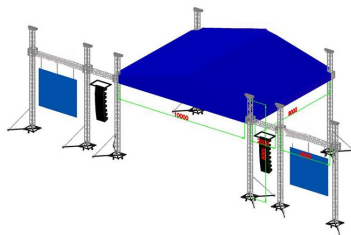


A-frame Roof Truss System

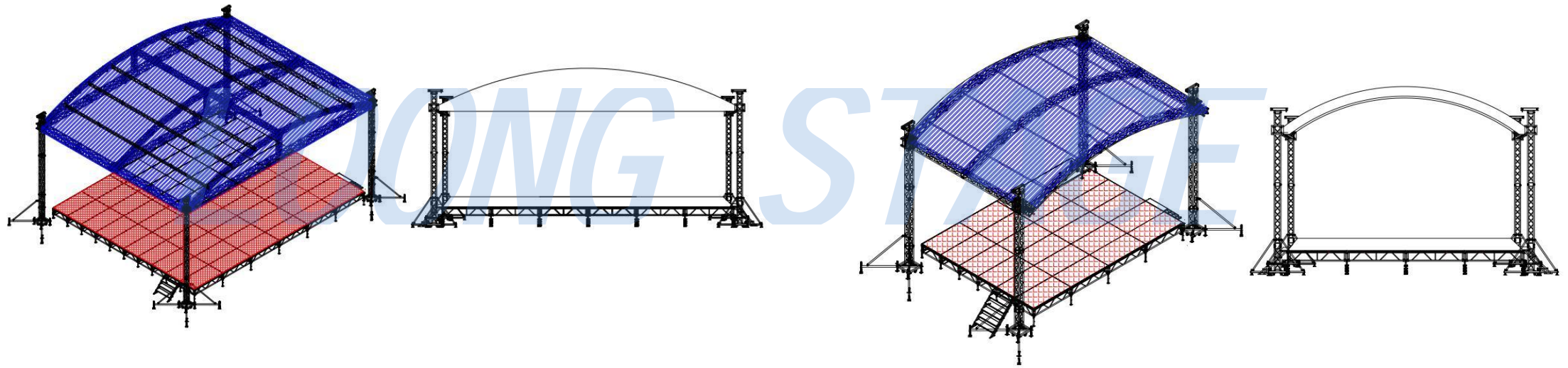


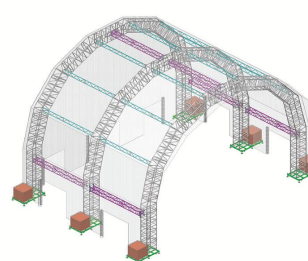
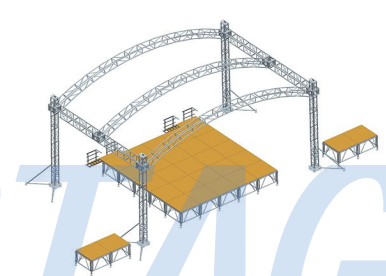
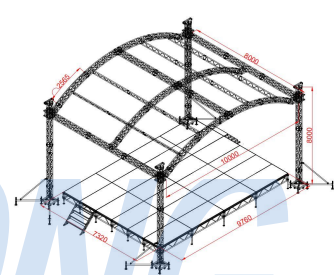
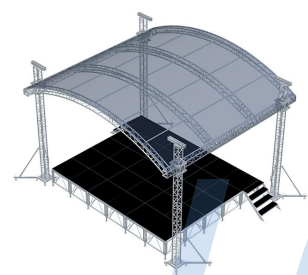


LONG STAGE

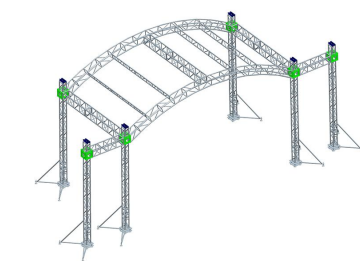
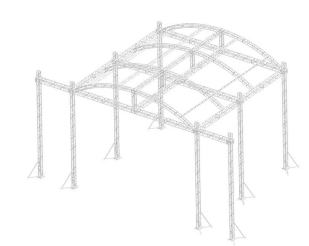
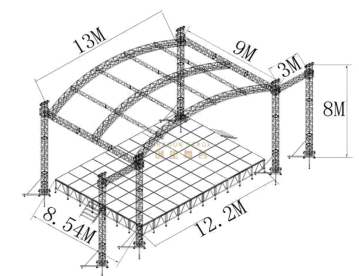


Curve Roof Truss System

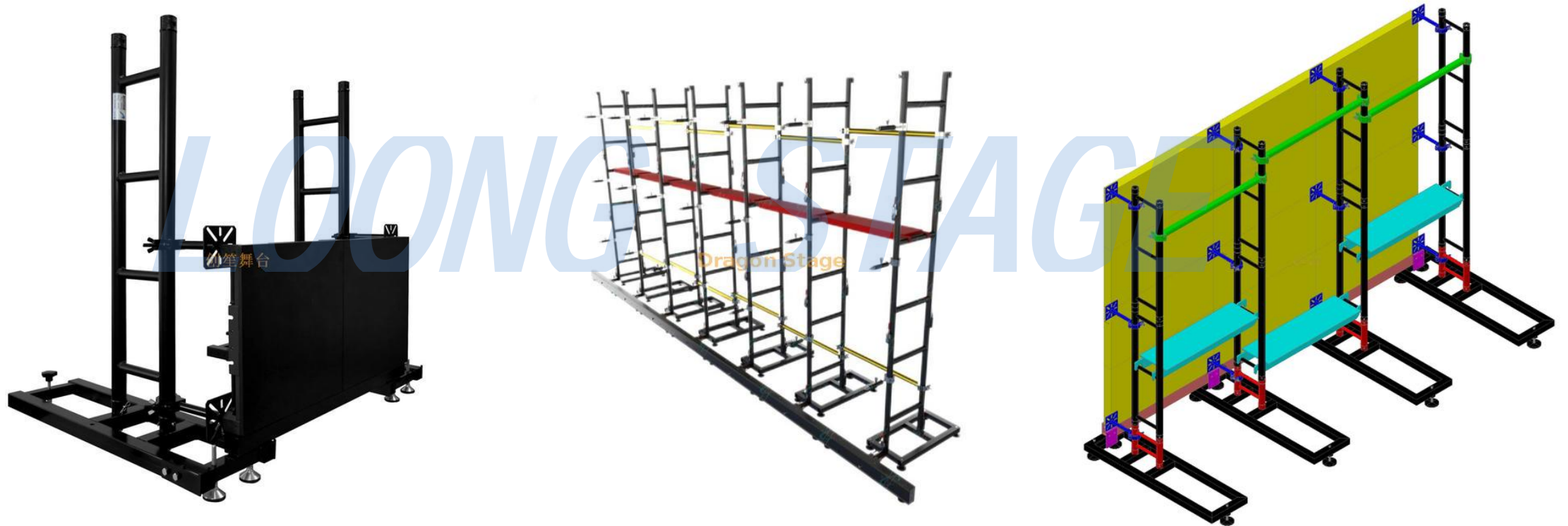




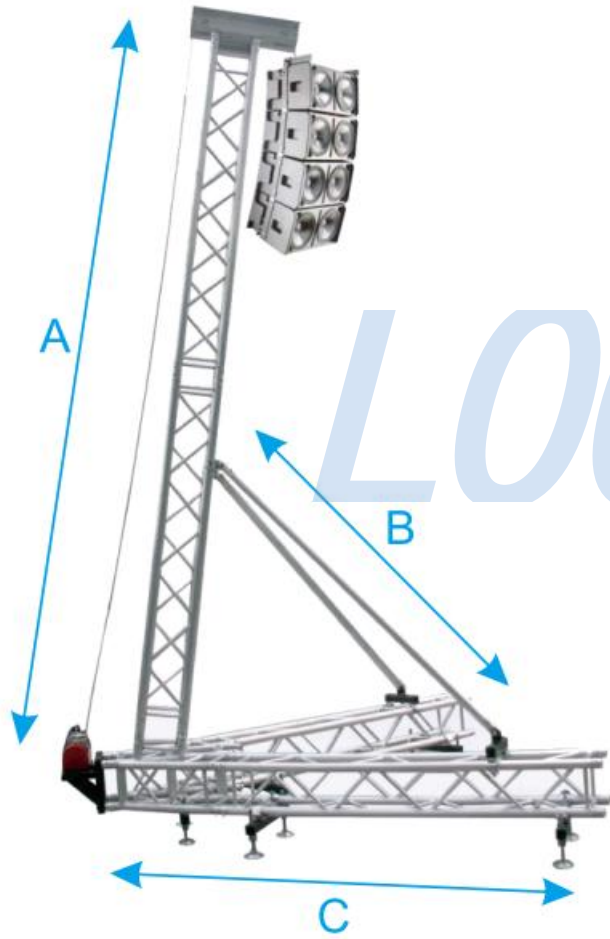
LONG STAGE



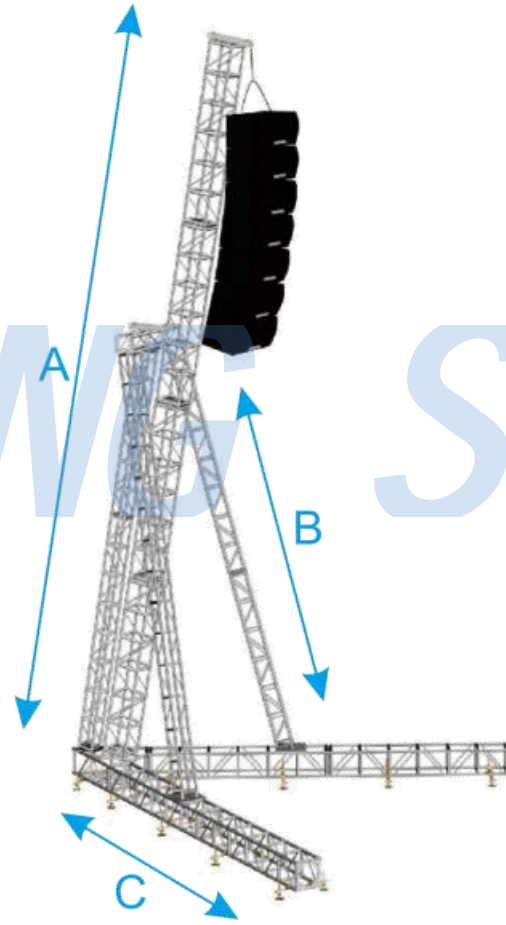
LED GROUND SUPPORT TRUSS



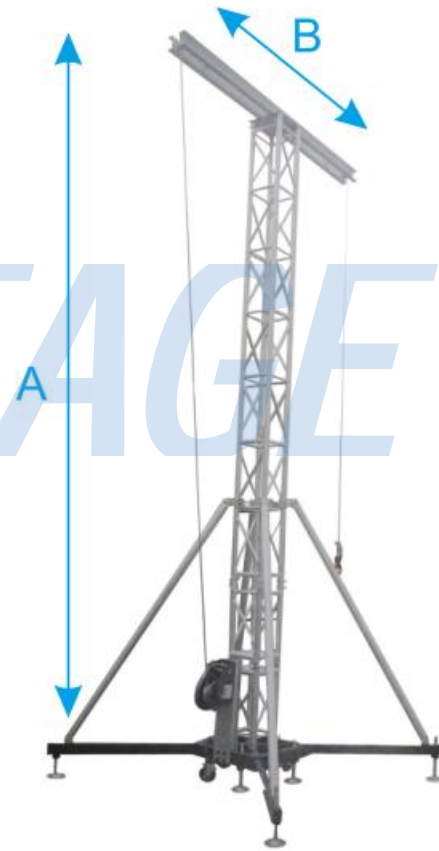
PA TOWER



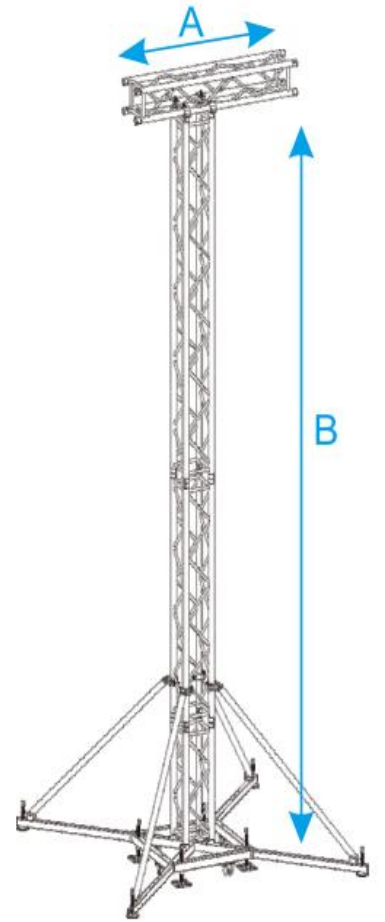
CAZ-01



CAZ-02

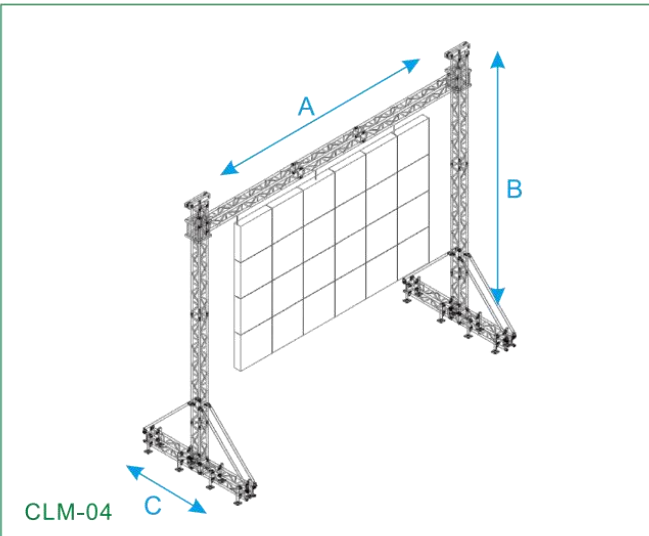
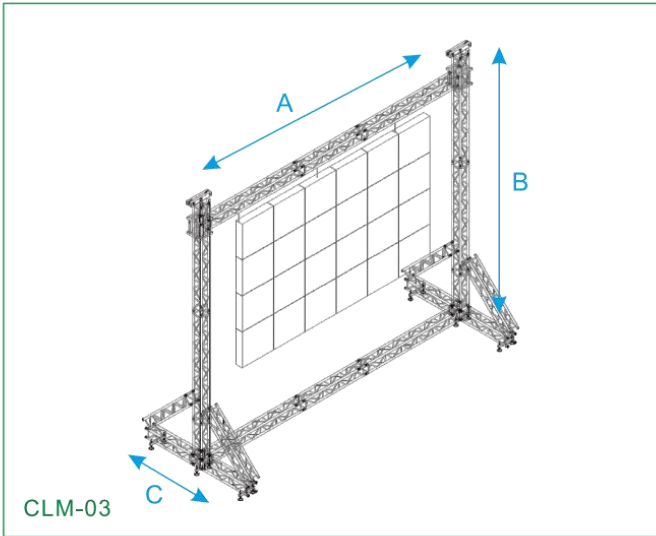
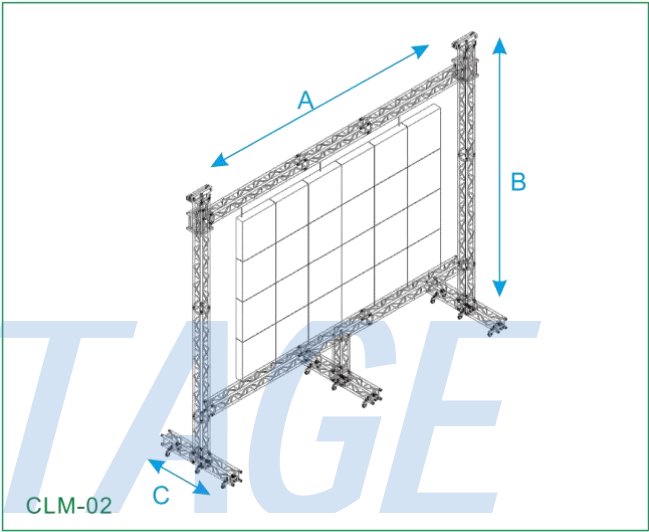
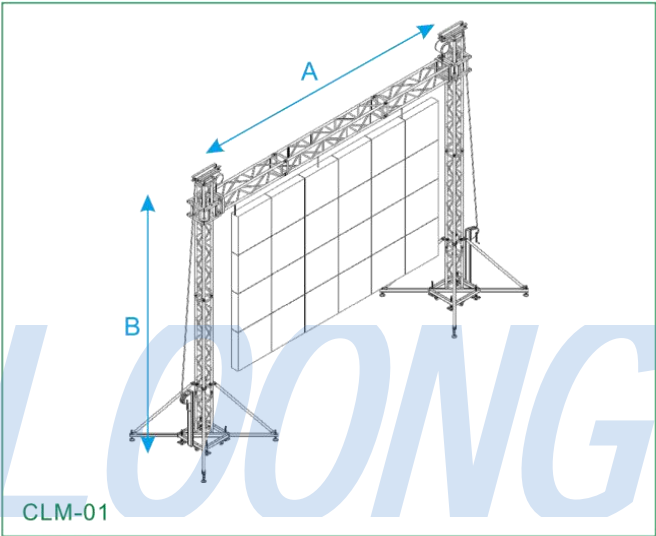


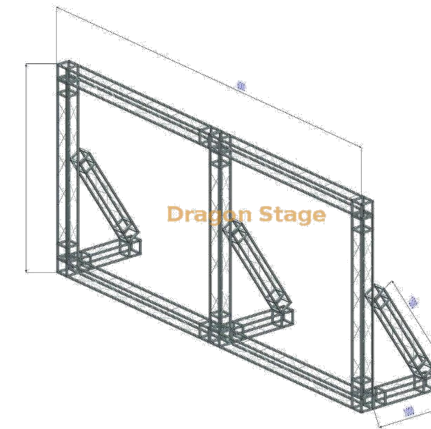
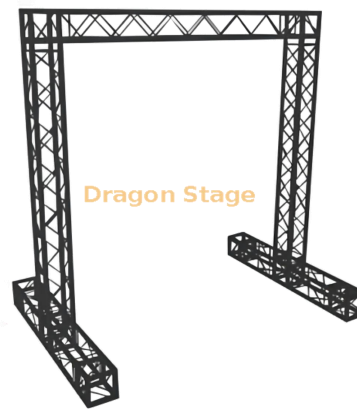
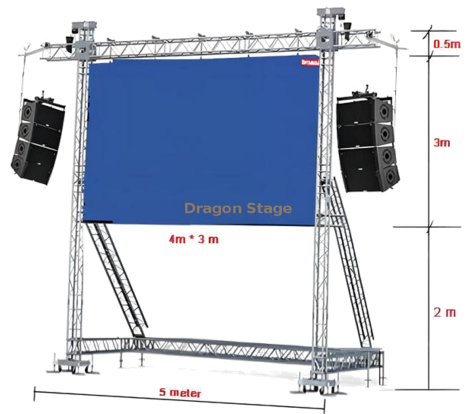
CAZ-03



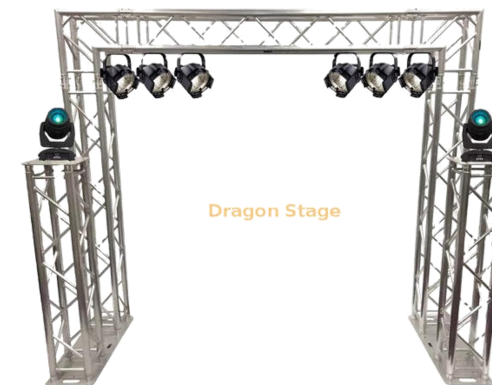
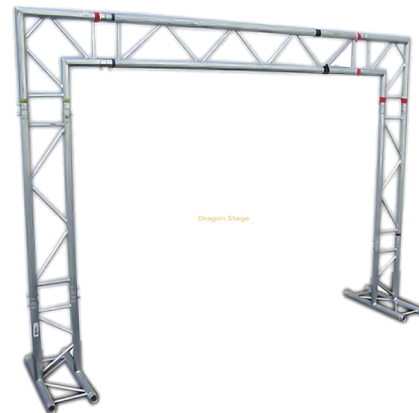
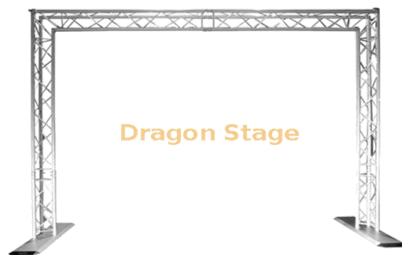
CAZ-04

Goal Post

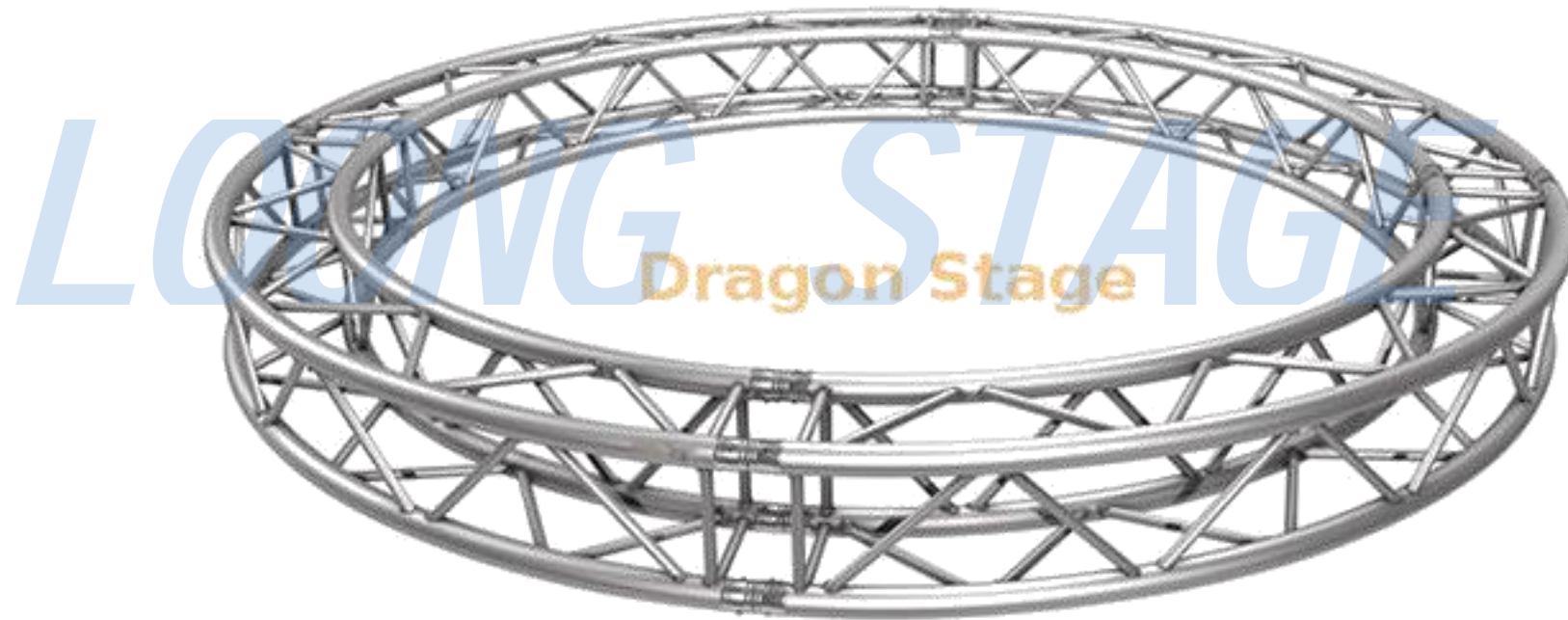


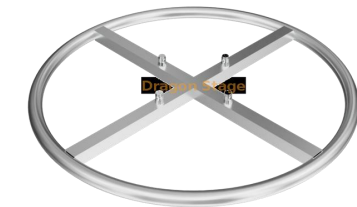
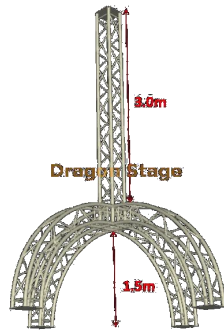
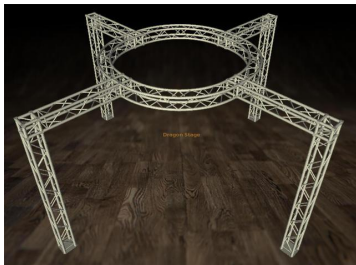
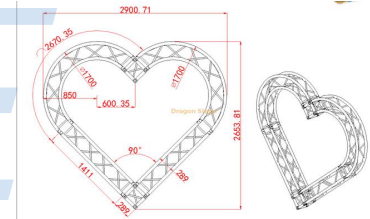
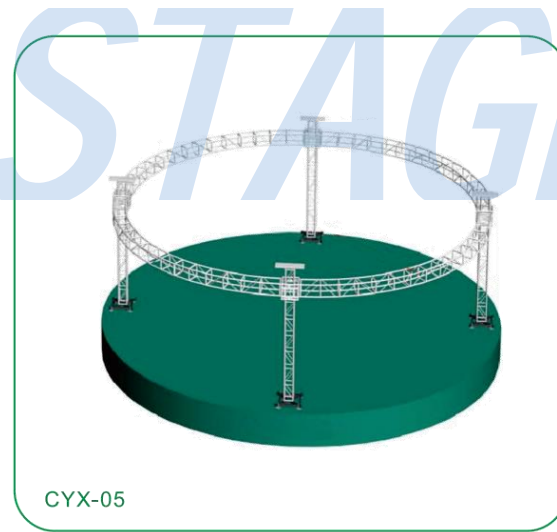
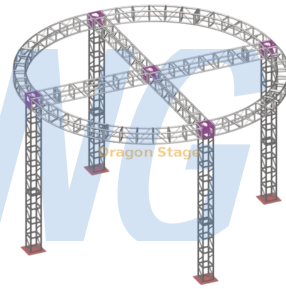
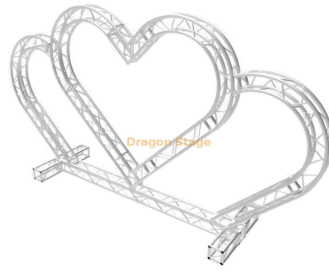
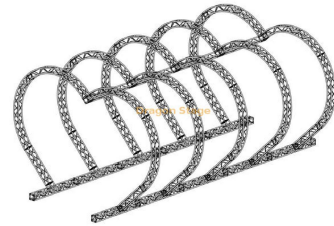


LOONG STAGE

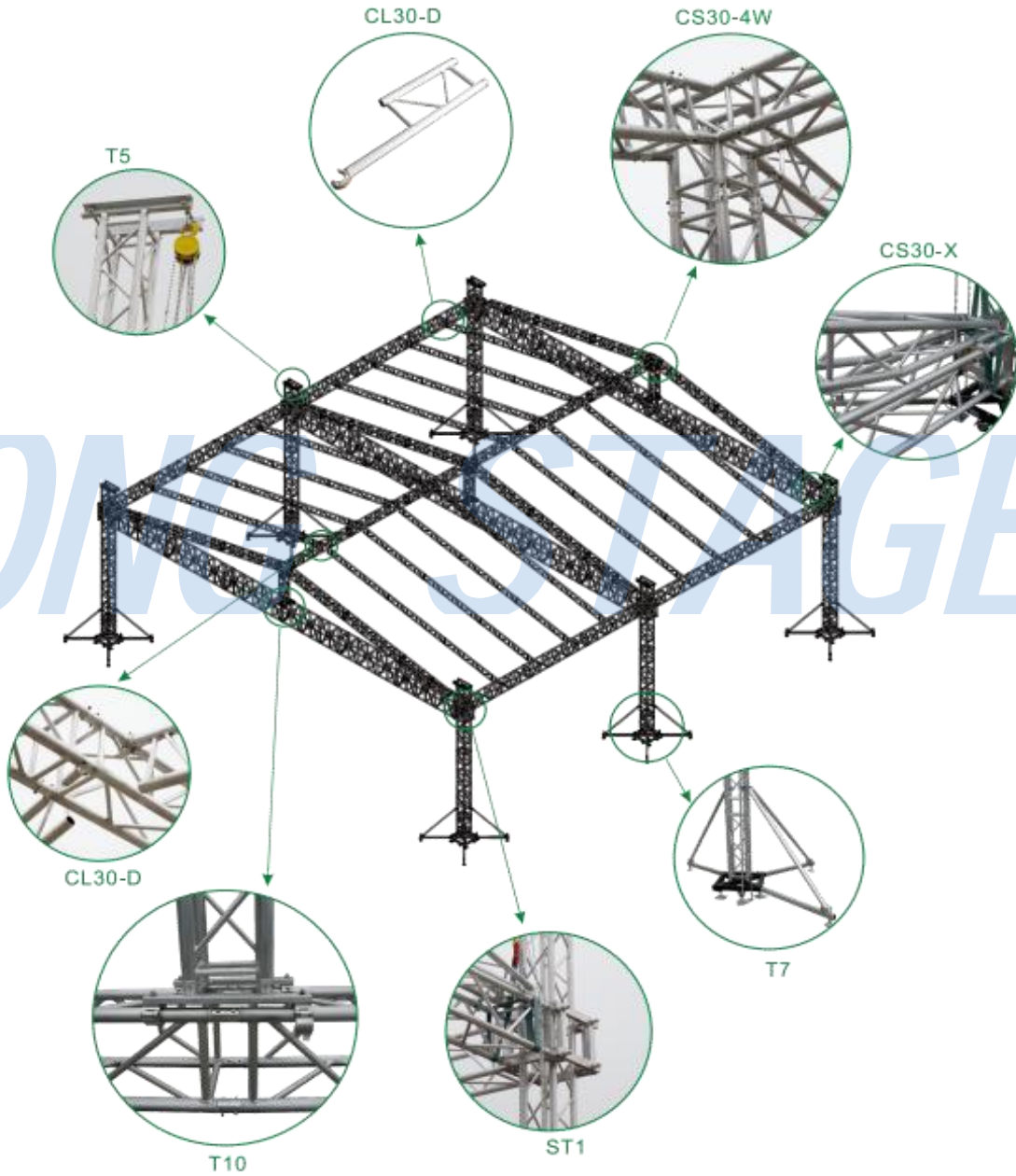


Custom Truss System



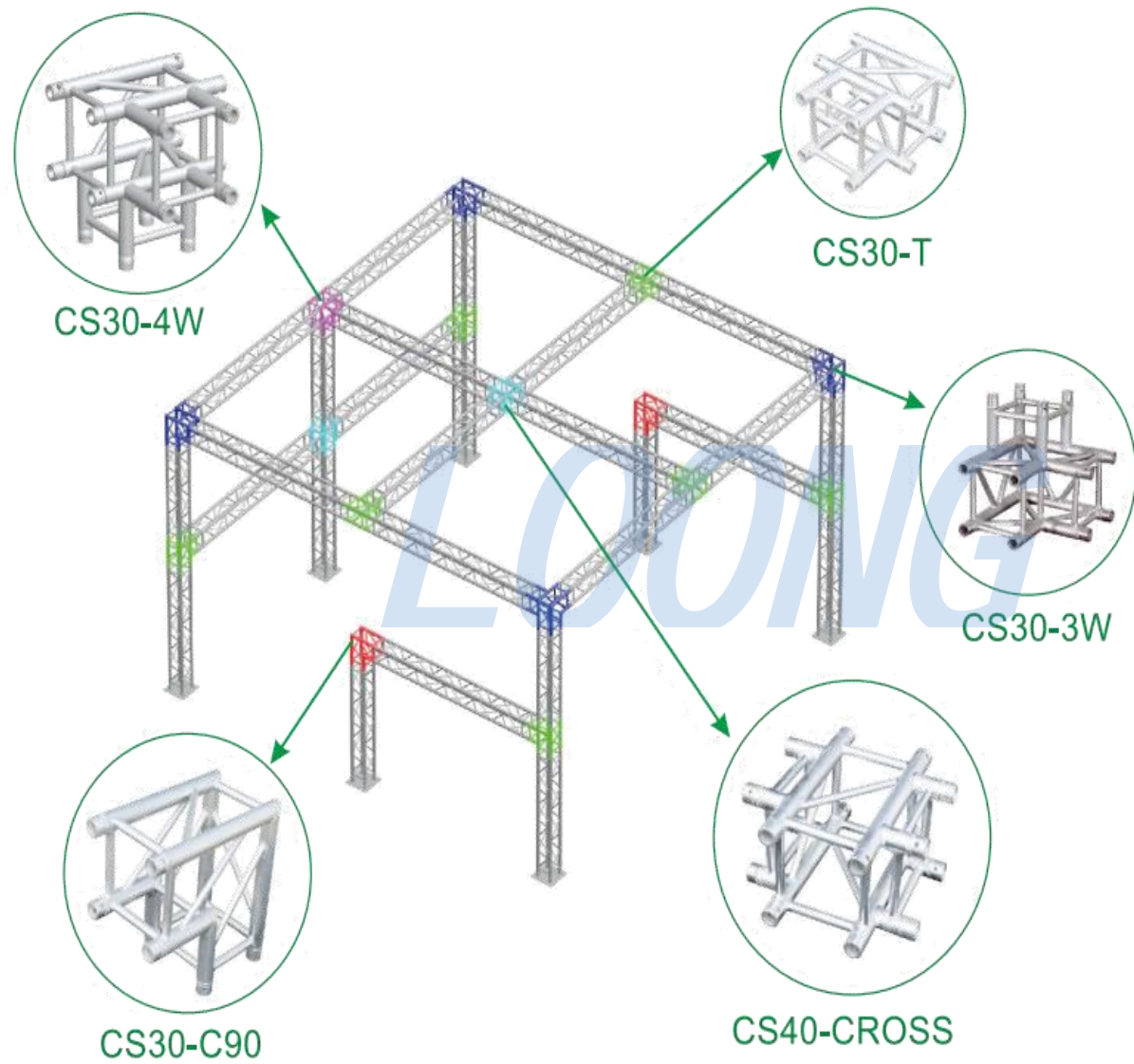


ROOF DETAIL



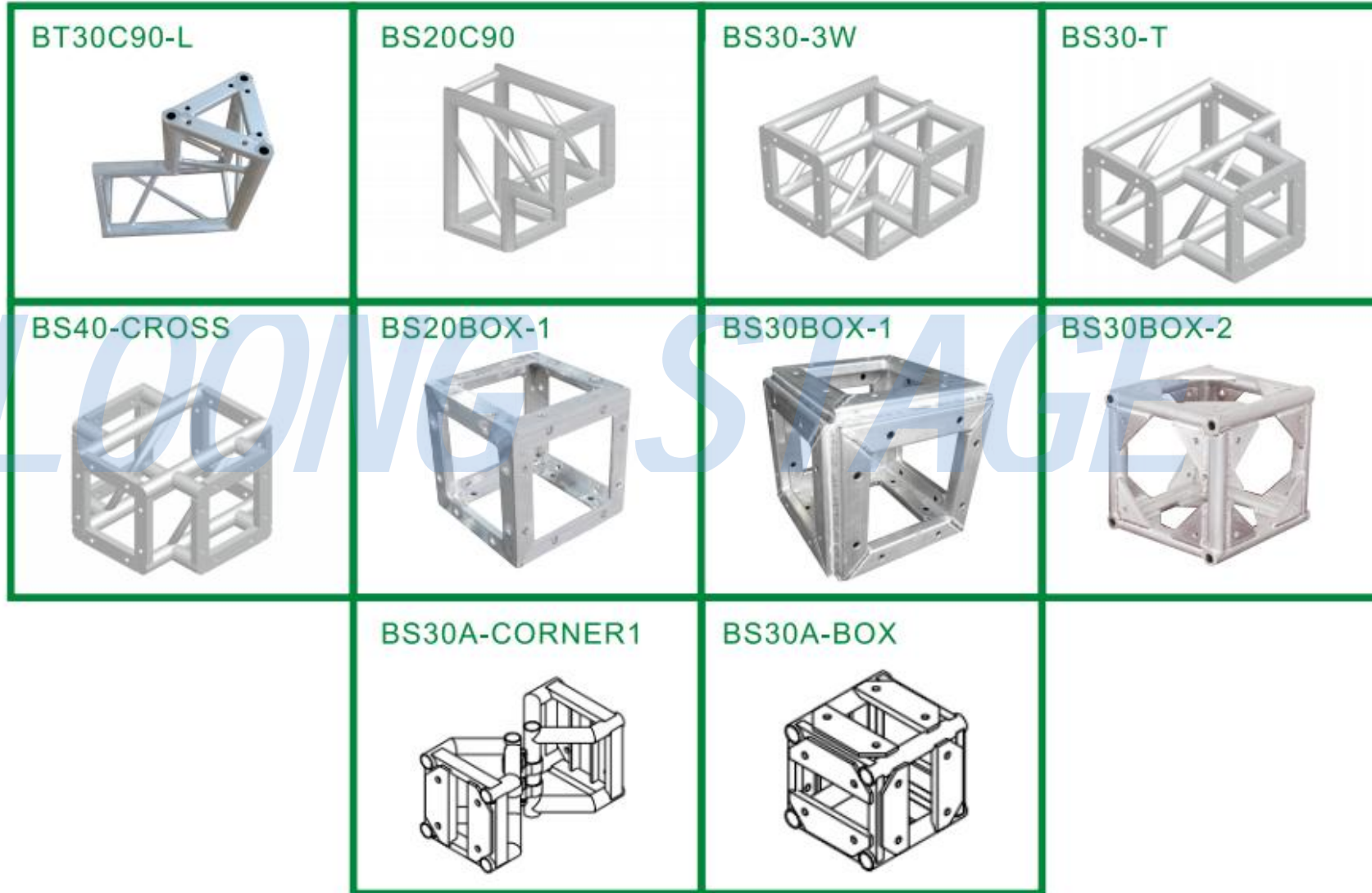
LOOMING STAGE

CORNER



<p>CL30C90</p>	<p>CL30C45</p>	<p>CL30</p>	<p>CT30C90</p>
<p>CT30-3W-1</p>	<p>CT30-3W</p>	<p>CT30-30T-1</p>	<p>CT30-CROSS</p>
<p>CS30C135</p>	<p>CS30C45</p>	<p>CS30-520</p>	<p>CS30BOX</p>

SCREW CORNER



Manual Winch
手摇绞盘



TP1
Tower Crane
辅助塔吊



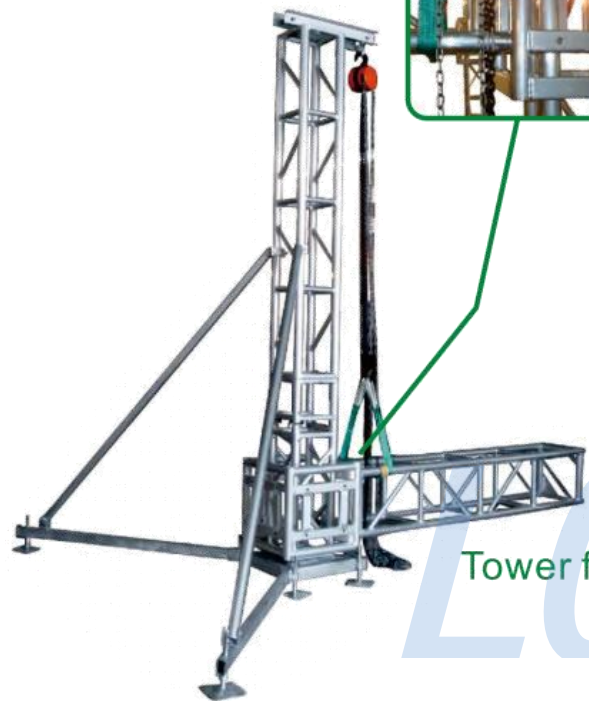
When the high of truss tower is over 6m, this tower crane will be helpful;It can be lifted by motor or manual winch.



BT1
Sleeve block
方套



BT3
Sleeve block
方套



Tower for endplate truss
螺丝塔吊



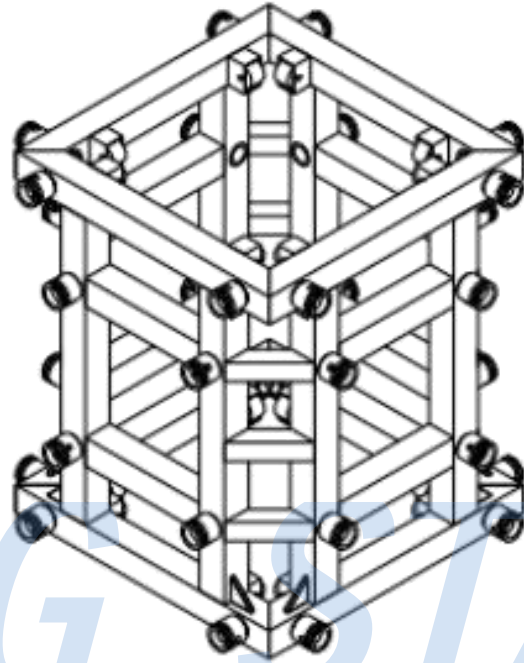
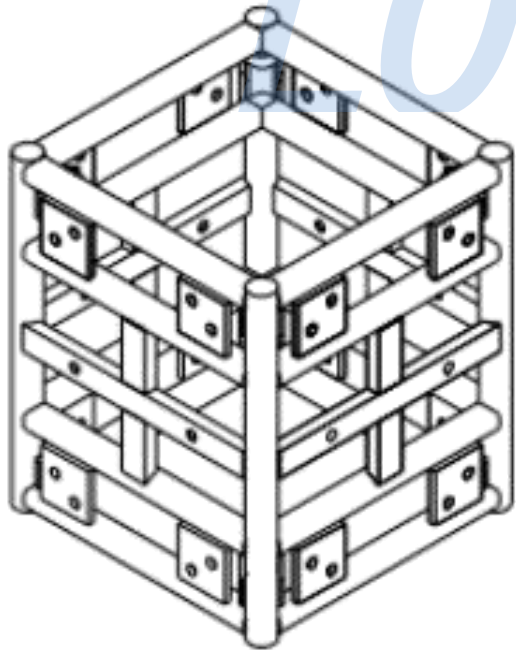
ST5
Tower for spigot truss
插销式塔吊



Tower for spigot truss
插销式塔吊

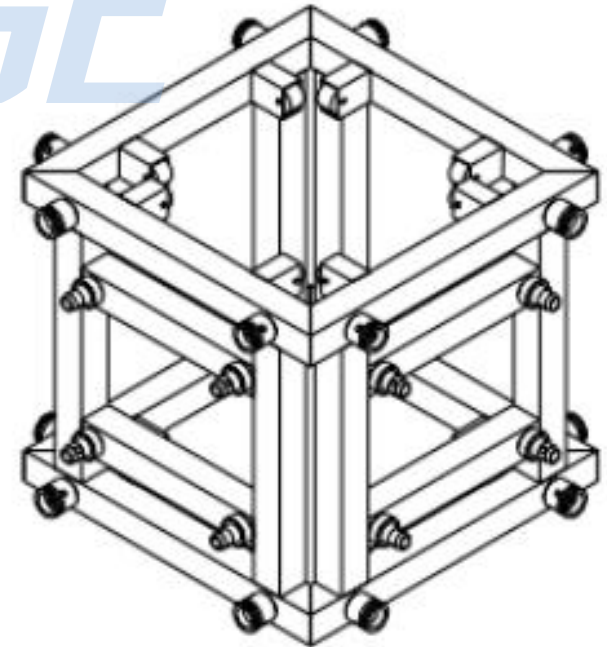
LOONG STAGE

**BS5060(BS40)-S
Sleeve Block**



**CS5276(CS40)-S
Sleeve Block**

**CS5060(CS35)-S
Sleeve Block**



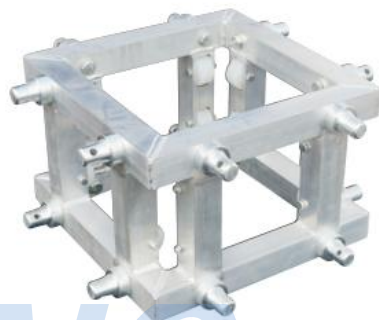
TOWER

<p>T1 Manual Hoist 手拉葫芦</p> 	<p>T2 Electric Motor 国产电动葫芦</p> 	<p>T3 Motor Controller 电动葫芦控制器</p> 	<p>T4 Fibre Sling 飞机带</p> 
<p>T5 Top Section 横担</p>  <p>T9</p>	<p>T6 Electric Top Section 电动葫芦横担</p>  <p>ST1</p>	<p>T7 Steel Base 铁底座</p>  <p>ST2</p>	<p>T8 Aluminum Base 铝底座</p>  <p>ST3</p>

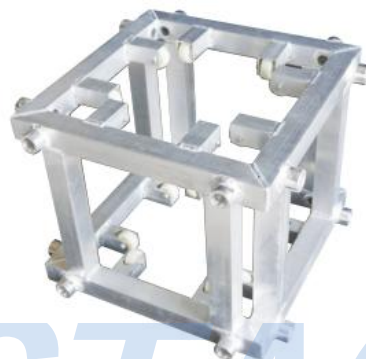
T9
Long Outrigger
斜撑



ST1
Sleeve Block
插销方套



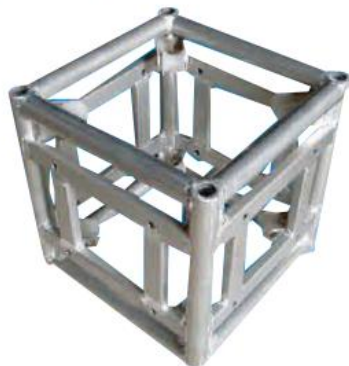
ST2
Sleeve Block
插销方套



ST3
Sleeve Block
插销方套



BT1
Sleeve Block
螺丝方套



BT2
Sleeve Block
螺丝方套



ST4
Hinge Section (Spigot truss)
插销架反头



BT4
Hinge Section (Bolt truss)
螺丝架反头



H TRUSS

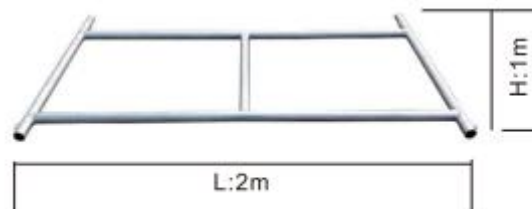


HT1
H Truss
H架

Braces

单片

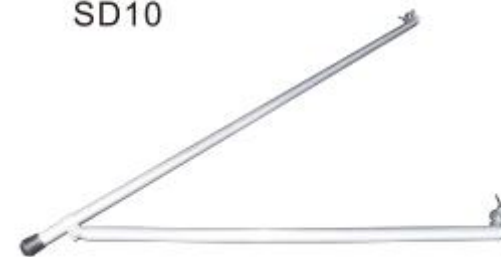
HT2-L:2m/H:1m(6.6x3.3ft)



Long Outrigger

斜撑

SD10



Horizontal Pipe

横拉杆

SD2-2m(6.6ft)



Adjustable Base

可调节底座

LR4



Caster and Adjustable Leg

脚轮和可调节脚

SD3-adjustable leg

SD3-5

SD3-6

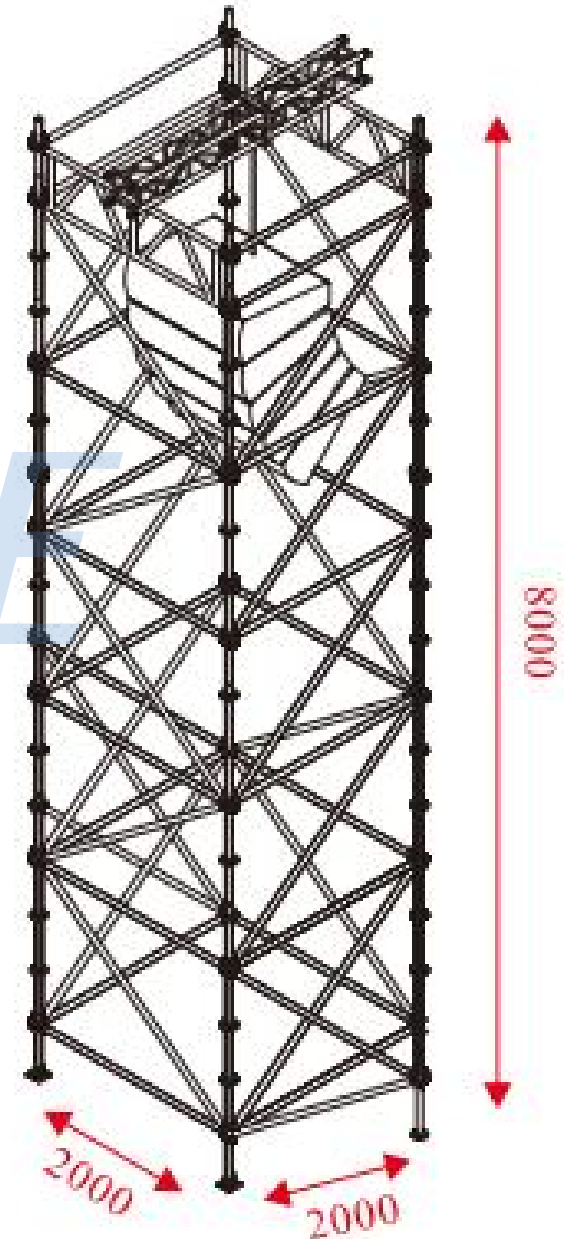
SD3-8

LONG STAGE

LAYER TRUSS

- Layer truss consist of pillar, horizontal pipe, diagonal pipe, adjustable base and joint pipe.
- Simple construction, user-friendly, durable and cost-saving Surface process: hot zinc galvanization or cold zinc galvanization.
- Suitable for big outdoor shows and events.

LRT2
Layer Truss
网架





Pillar 立柱
LR1-2m(6.6ft)



Diagonal Pipe 斜拉杆
LR3-2.44m(8.0ft)



Horizontal Pipe 水平拉杆
LR2-2m(6.6ft)



Adjustable Base
LR4 可调节底座



Joint Pipe
LR5 底托



Disk
LR6 圆盘



Clip Lock
LR7 锁头插销

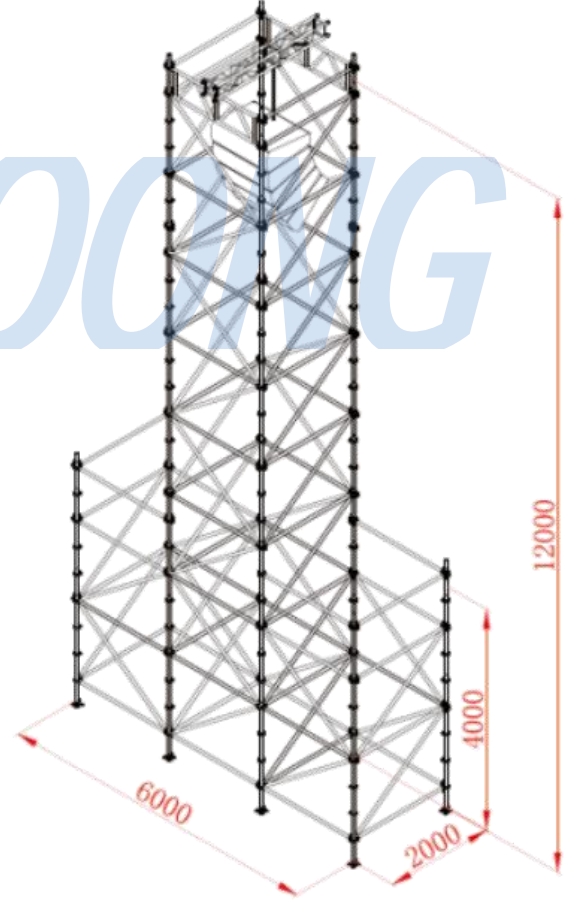
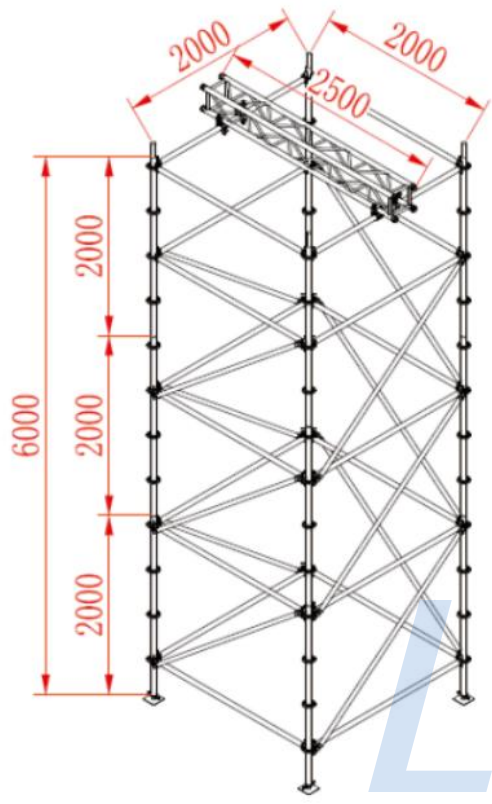


Straight Lock
LR8 直锁头

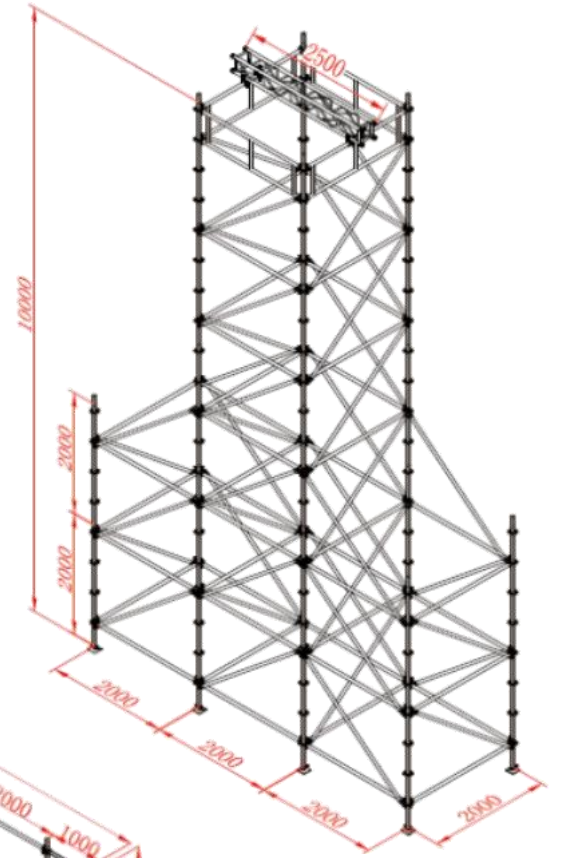
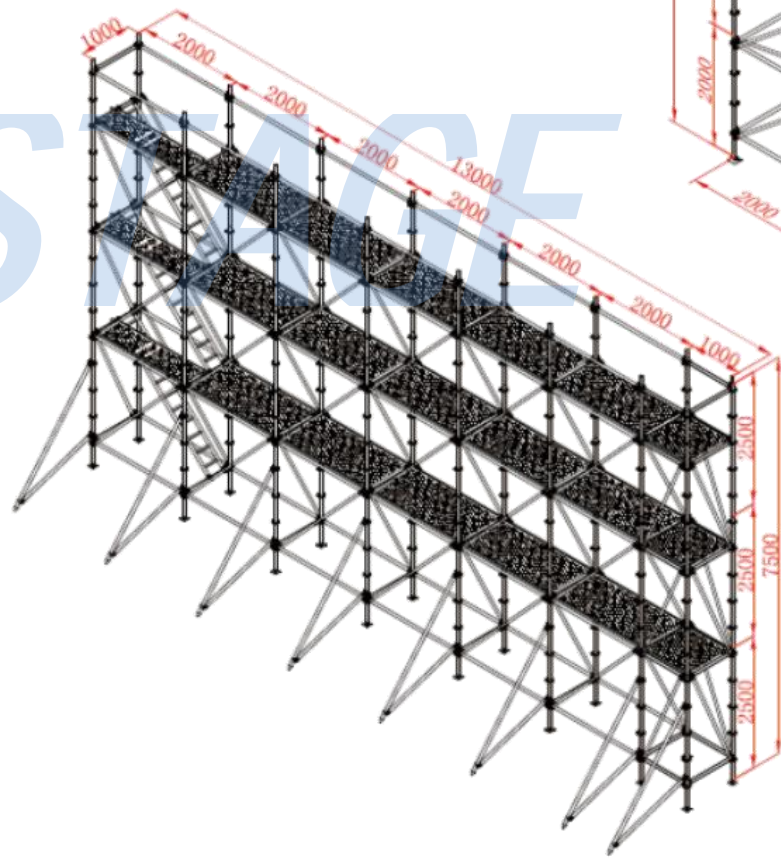


Oblique Lock
LR9 斜锁头

LOONG STAGE

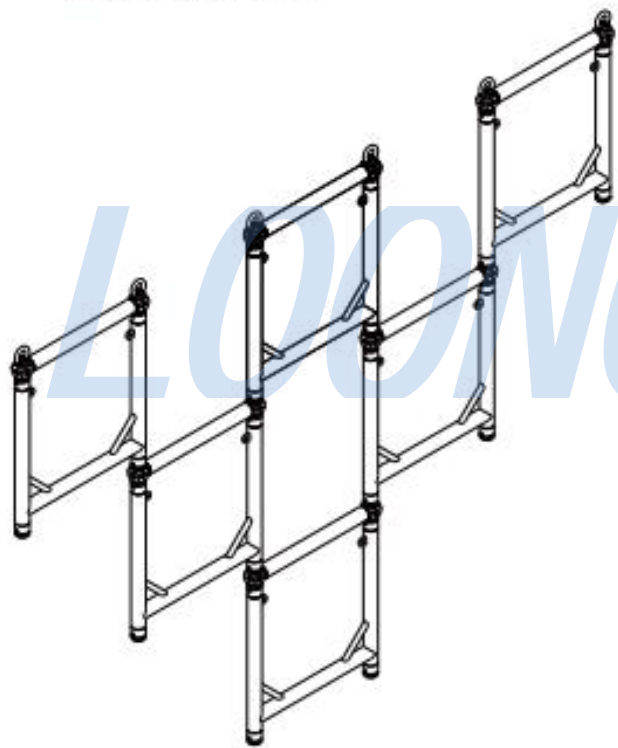


LOOMING STAGE



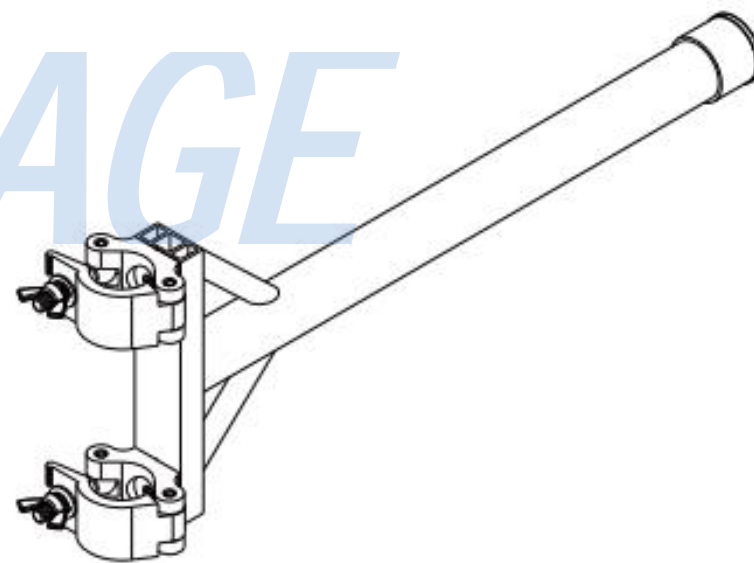
Lighting Frame

挂灯组合片



Lighting Arms

挂灯杆



LOADING STAGE

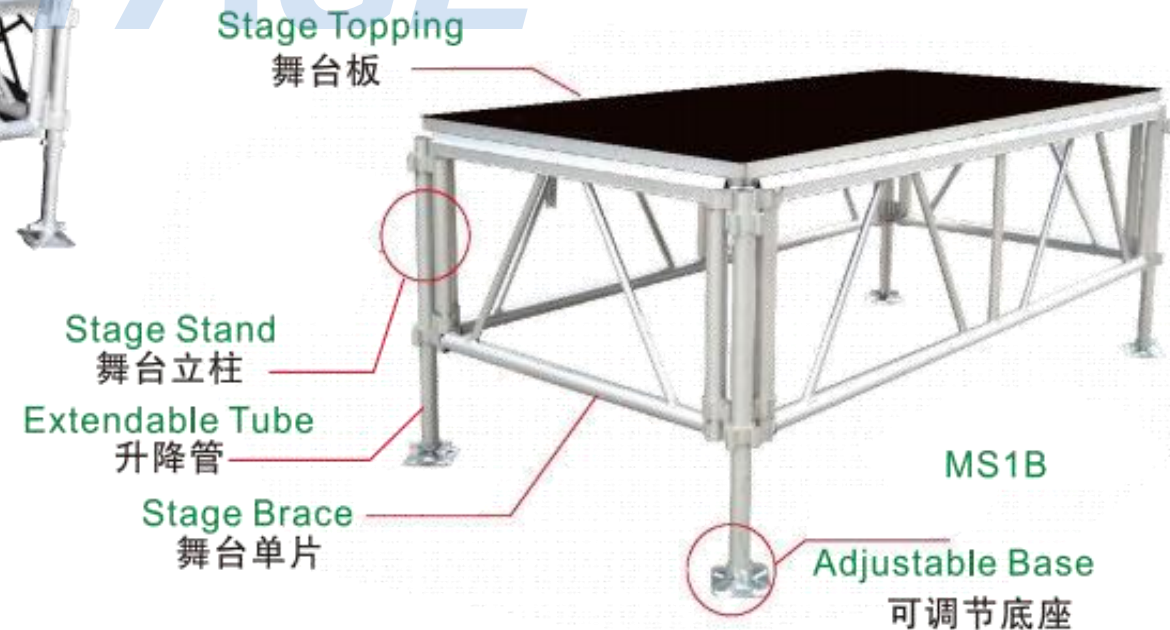
LOADING STAGE

EVENT STAGE



ALUMINIUM STAGE

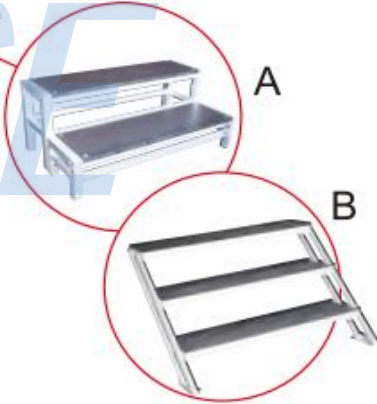
Model	型号	MS1A MS1B
Specification	规格	A:1220mmx1220mm(4ftx4ft) B:1220mmx2440mm(4ftx8ft)
Height	高度	A:0.4-0.8m(1.31-2.62ft) C:0.8-1.4m(3.28-4.59ft) E:1.6-2m(5.25-6.56ft) B:0.6-1m(1.97-3.28ft) D:1-1.4m(3.28-4.59ft)
Load capacity	承重	750kg/m ² 750公斤/平方米
Material	材料	Aluminium 铝合金材质
Characteristics	特点	Easy to set up and disassemble, beautiful appearance 搭建拆卸简单快捷, 外观美观



Stage Baluster
舞台护栏



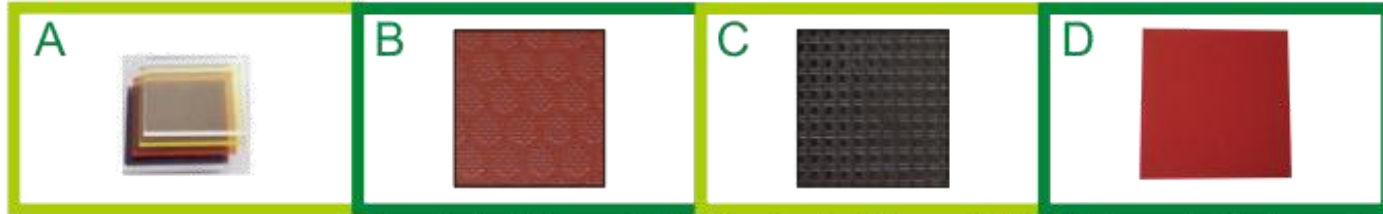
Stage Skirting
舞台裙边



Stage Stair
楼梯

LOONG STAGE

The available stage topping
可供选择的的面板



A
Fabric Glass
有机玻璃

B
Laminated Plywood(A)
防滑贴面(六边形)

C
Laminated Plywood(B)
防滑贴面(小方块)

D
Plywood with Carpet
地毯贴面

MSA1



MSA2



MSA3



MS2A



MS2B



Model	型号	MS2A	MS2B	MS2C
Specification	规格	L:2000mm W:1000mm 长:2000mm (L:6.6ft W:3.3ft) 宽:1000mm		
Height	高度	0.2-0.3m/0.4-0.6m/0.6-1m (0.7-1.0ft/1.3-2.0ft/2.0-3.3ft)		
Load capacity	承重	600kg/sqm(122.89lb/sqft) 600公斤/平方米		
Material	材料	Plywood 18mm thickness 18mm厚防滑木板		
Characteristics	特点	Aluminium 铝合金材质		

LOONG STAGE



MS2C



MS3A

Iron stage 铁舞台



MS3B

LOADING STAGE

Model	型号	MS3A MS3B
Specification	规格	A:1220mmx1220mm(4ftx4ft) B:1220mmx2440mm(4ftx8ft)
Height	高度	A:0.6-1m(1.97-3.28ft) B:1.6-2m(5.25-6.56ft)
Load capacity	承重	750kg/m 750公斤/平方米
Material	材料	Iron in hot galvanization; Layer Design+Aluminium topping frame 铁质带热镀锌; 雷亚架结构+铝合金舞台框
Characteristics	特点	It is simple in design, flexible in construction, economical and firm. It is suitable for indoor and outdoor large and small performances. 它设计构造简单,灵活搭建,造价经济,牢固.适合室内外大小型演出

MS 4
Aluminum folding stage
铝合金折叠舞台

Model	型号	MS4
Specification	规格	A:1220x2440mm(8ftx4ft) B:1830x2440mm(8ftx6ft)
Height	高度	A:410-610mm B:610-810mm
Load capacity	承重	500kg/m ²
Material	材料	Aluminum 铝合金材质
Characteristics	特点	It can be foldable, and easy to transport and be storage 可折叠，方便运输、储存

H:0.41m



H:0.61m

LONG STAGE



Foldable
折叠后效果



STAGE PROJECT

MSA4



Baluster Brace 舞台护栏

MSA5



Baluster Pillar 护栏立柱

MSA6



Adjustable Stage Stair
可调节楼梯

MSA7



Fixed Stage Stair
固定式楼梯

MSA91

Stage Toppings Trolley

舞台板运输车



Holds 20pcs x 1.22*2.44m stage toppings.
可放置20张1.22*2.44米舞台板

MSA92

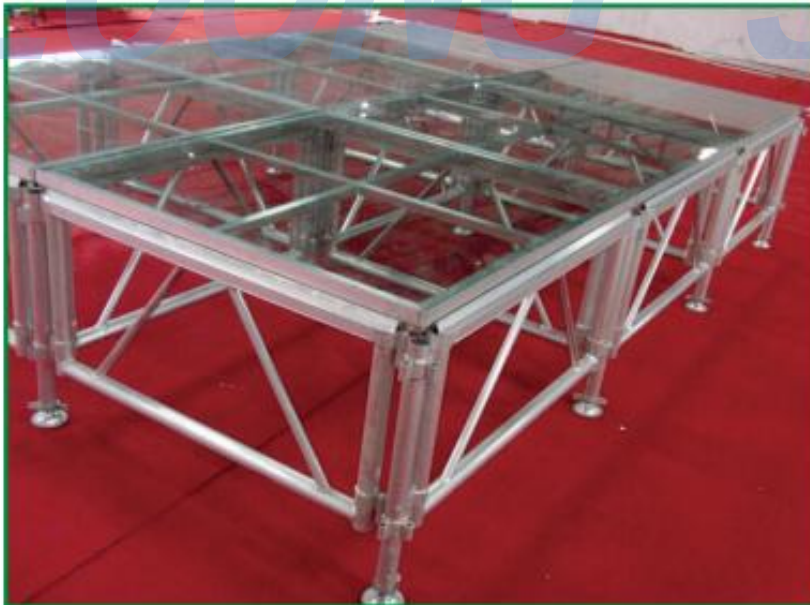
All-staging trolley

一体式舞台运输车



Holds one set of 7.32*4.88m stage
可放置一套7.32*4.88m舞台所有部件

MSA8 Ramp 斜道



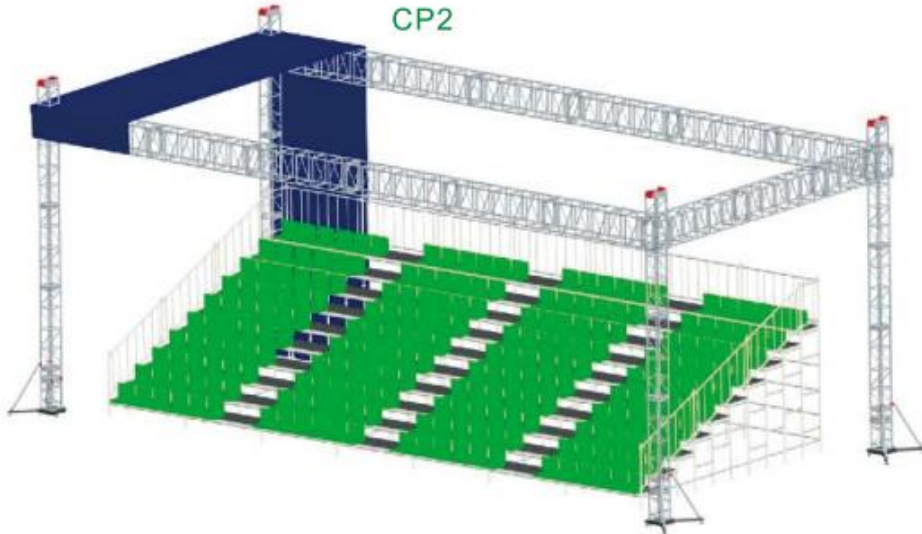
SEATING SYSTEM

CP1



LOOKING STAGE

CP2



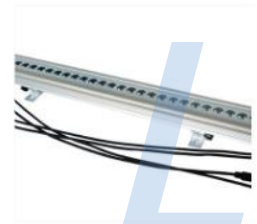
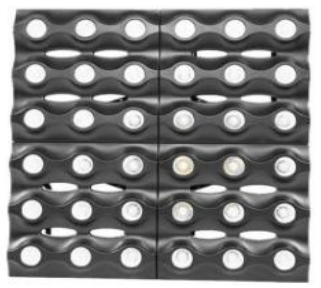
CP 3
Aluminum Seating System
铝合金式看台



CP 4
Steel Seating System
铁质看台



STAGE LIGHTING



LOOKING AT STAGE

LED Par Light



COB Par Light



DRAGON STAGE



LED moving head



computer moving head



Wash Lights



LONG STAGE

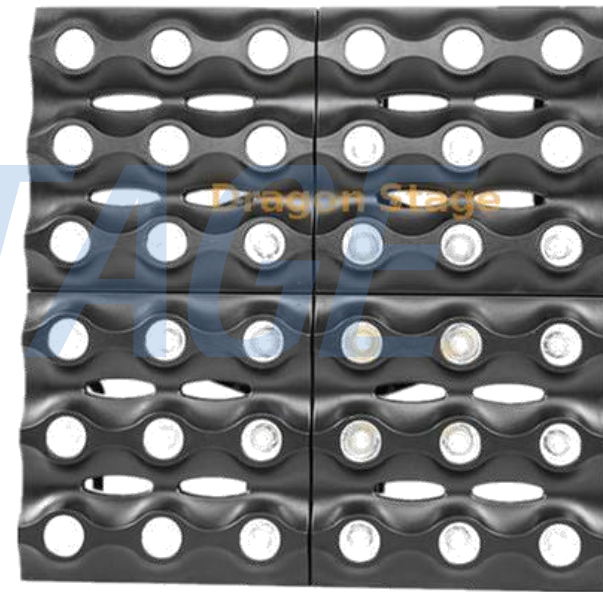


LED flood lights

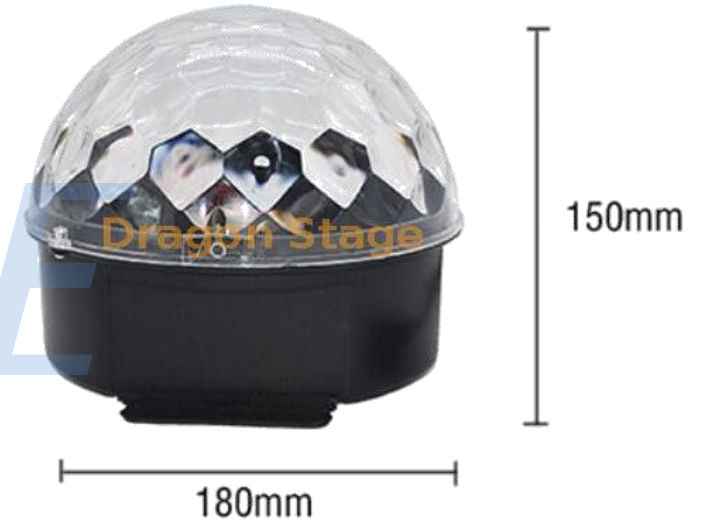
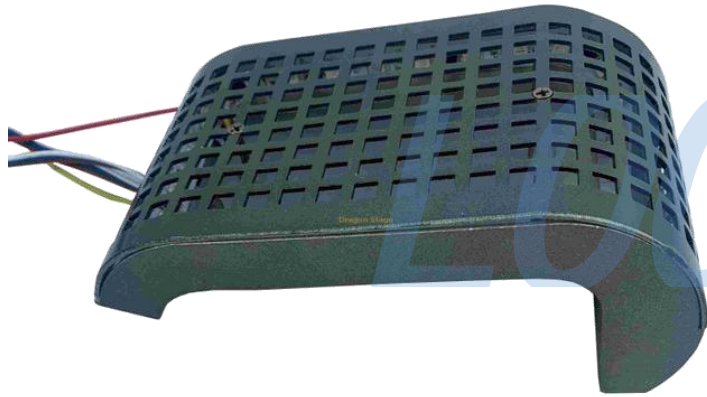


LONG STAGE

LED matrix lights



LED effects light



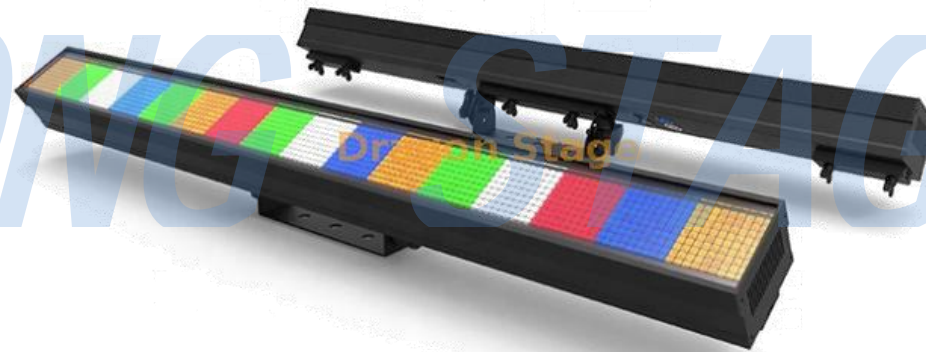
LED video lighting



LOOKING STAGE



LED strobe light



Art ProLight

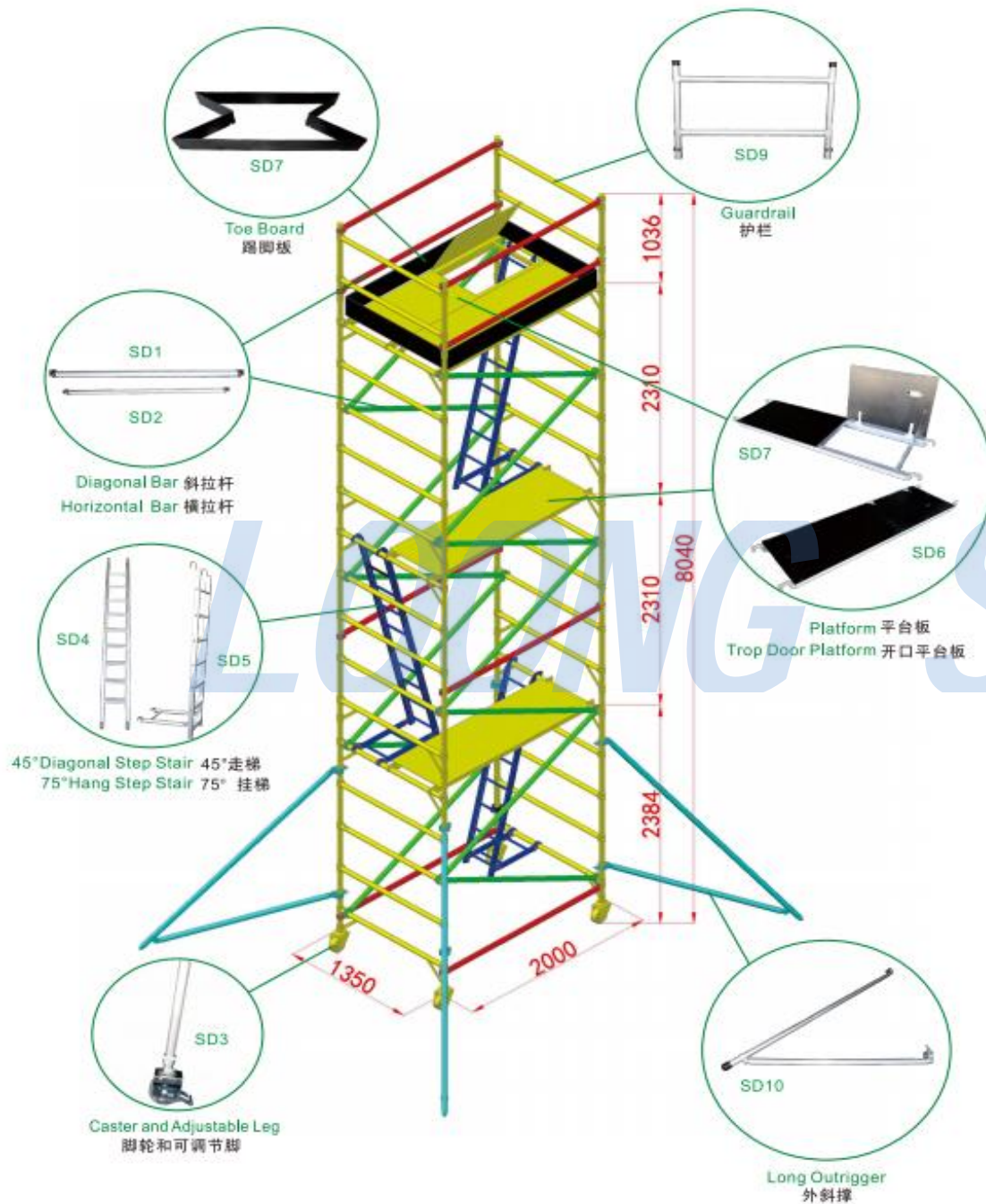


WORK SCAFFOLDING & TOOLS



LOONG STAGE





- Aluminum scaffolding conforms to European standard HD1004
- It is convenient to carry tools and carry materials up and down, especially the inclined ladder frame, which greatly increases the working space and reduces the construction time;
- Easy to disassemble and assemble, and it is light and durable because it is aluminium alloy material;
- In addition to single-set construction, it can be combined into various styles, suitable for different venues, such as escalators, stairs, construction sites, etc.
- Various design components to meet different application needs;
- Platform can be placed at different heights.
- Guardrails and skirting boards ensure safety.

SDB-1

Double Width Climb Ladder Scaffolding

双宽直爬梯脚手架

DIMENSION 尺寸			
Double Width 双宽	135x200cm (4.4x6.6ft)	135x250cm (4.4x8.2ft)	135x300cm (4.4x9.8ft)
Height 高度	From 2m to 40m(6.6x131.2ft)		
Platform Load(KG) 平台板承重	272kg(599.7lbs)		
Entire Load(KG) 整体承重	900kg(1984.2lbs)		
Material 材质	Aluminum 6082 铝合金6082		



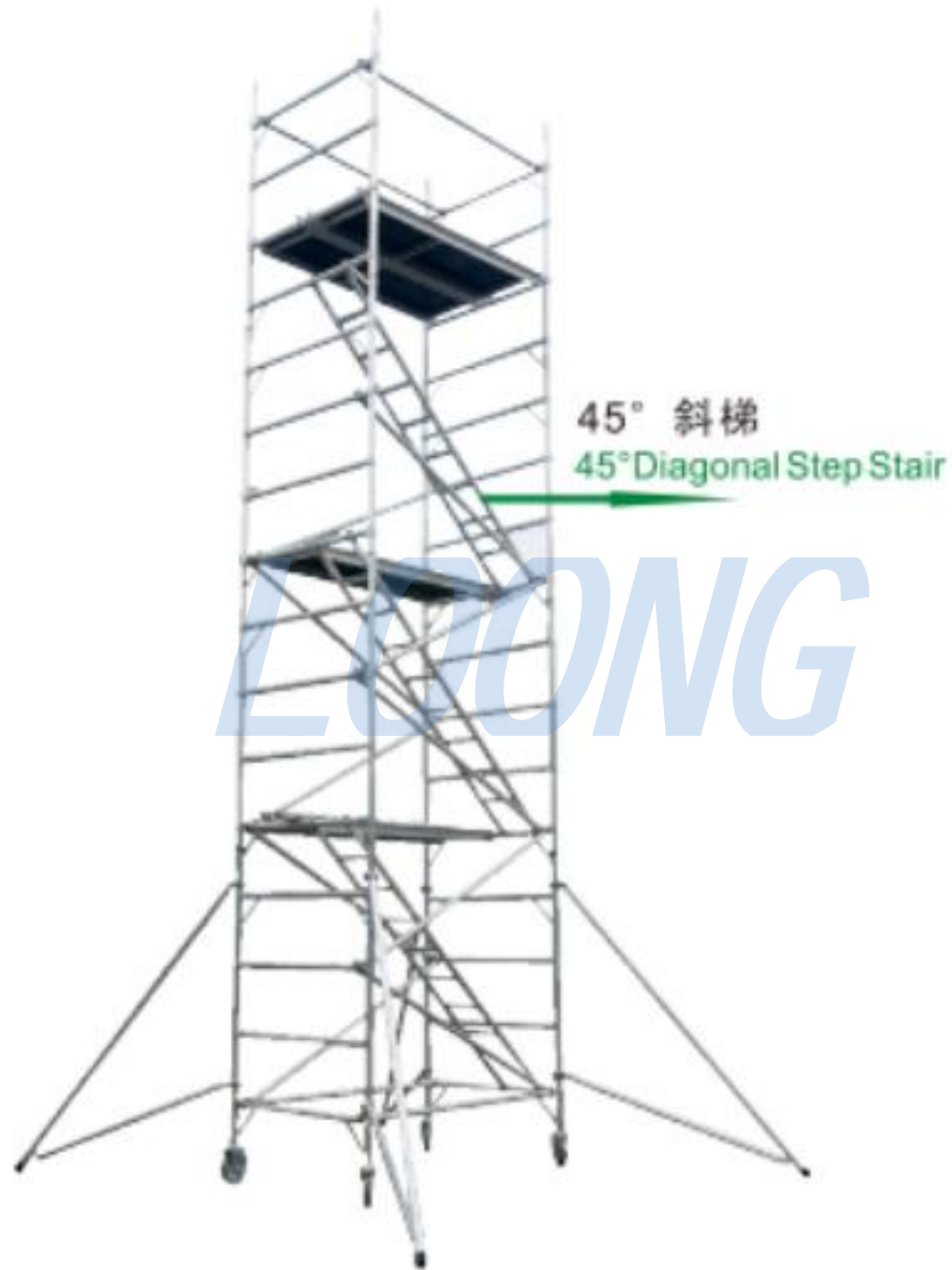


SDB-2

Single Width Climb Ladder Scaffolding

单宽直爬梯脚手架

DIMENSION 尺寸			
Single Width 单宽	75x200cm (2.5x6.6ft)	75x250cm (2.5x8.2ft)	75x300cm (2.5x9.8ft)
Height 高度	From 2m to 40m(6.6x131.2ft)		
Platform Load(KG) 平台板承重	272kg(599.7lbs)		
Entire Load(KG) 整体承重	900kg(1984.2lbs)		
Material 材质	Aluminum 6082 铝合金6082		



SDB-3

Double Width Step-Stair Scaffolding

双宽铝合金走梯脚手架

DIMENSION 尺寸			
Double Width 双宽	135x200cm (4.4x6.6ft)	135x250cm (4.4x8.2ft)	135x300cm (4.4x9.8ft)
Height 高度	From 2m to 40m(6.6x131.2ft)		
Platform Load(KG) 平台板承重	272kg(599.7lbs)		
Entire Load(KG) 整体承重	900kg(1984.2lbs)		
Material 材质	Aluminum 6082 铝合金6082		



主要部分
Main part

SDB-4 Foldable Scaffolding 折叠脚手架

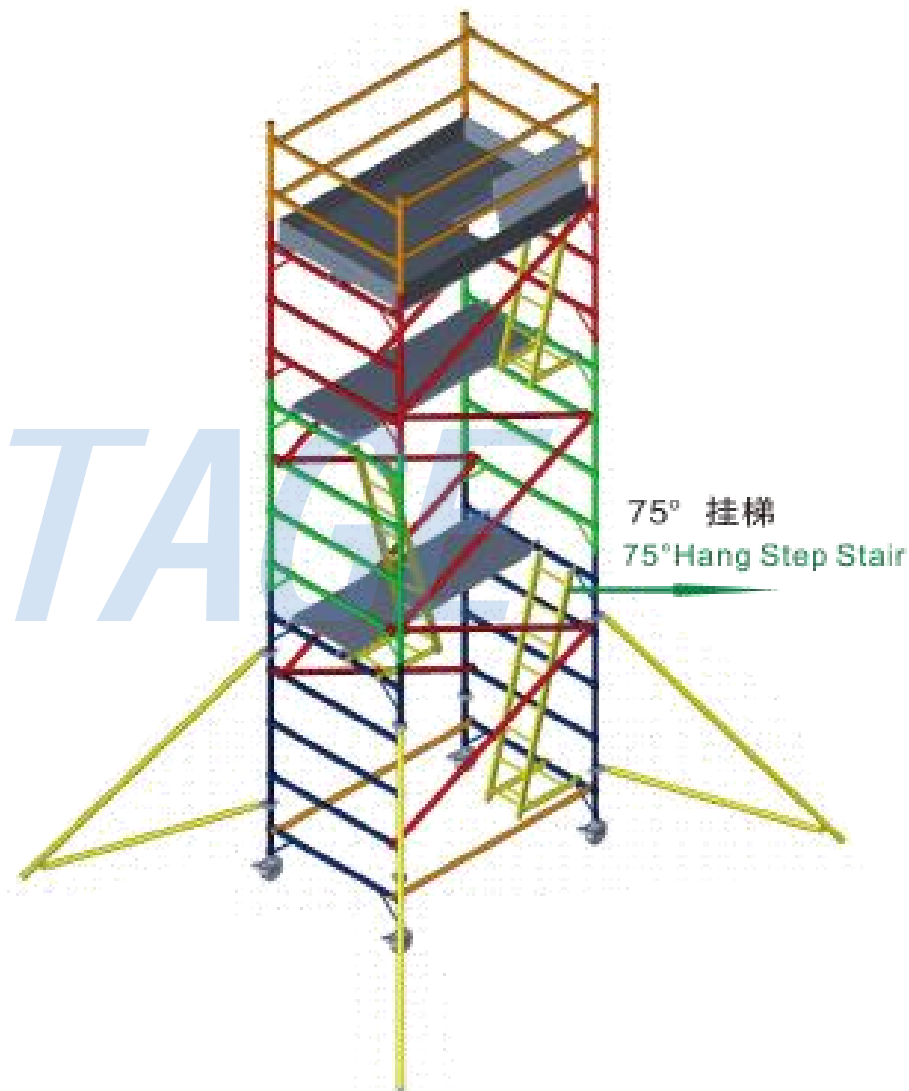
- SDB-4A 6rungs(H:1.68m/5.5ft)
- SDB-4B 7rungs(H:1.96m/6.4ft)
- SDB-4C 8rungs(H:2.24m/7.3ft)

SDB-5

Double Width 75° Hang Step-Stair Scaffolding

双宽铝合金挂梯脚手架

DIMENSION 尺寸			
Double Width 双宽	135x200cm (4.4x6.6ft)	135x250cm (4.4x8.2ft)	135x300cm (4.4x9.8ft)
Height 高度	From 2m to 40m(6.6x131.2ft)		
Platform Load(KG) 平台板承重	272kg(599.7lbs)		
Entire Load(KG) 整体承重	900kg(1984.2lbs)		
Material 材质	Aluminum 6082 铝合金6082		



Scaffolding accessories

01

Diagonal Bar

SD1-2m(6.6ft)

SD1-2.5m(8.2ft)

SD1-3m(9.8ft)



02

Horizontal Bar

SD2-2m(6.6ft)

SD2-2.5m(8.2ft)

SD2-3m(9.8ft)



03

Caster and Adjustable Leg

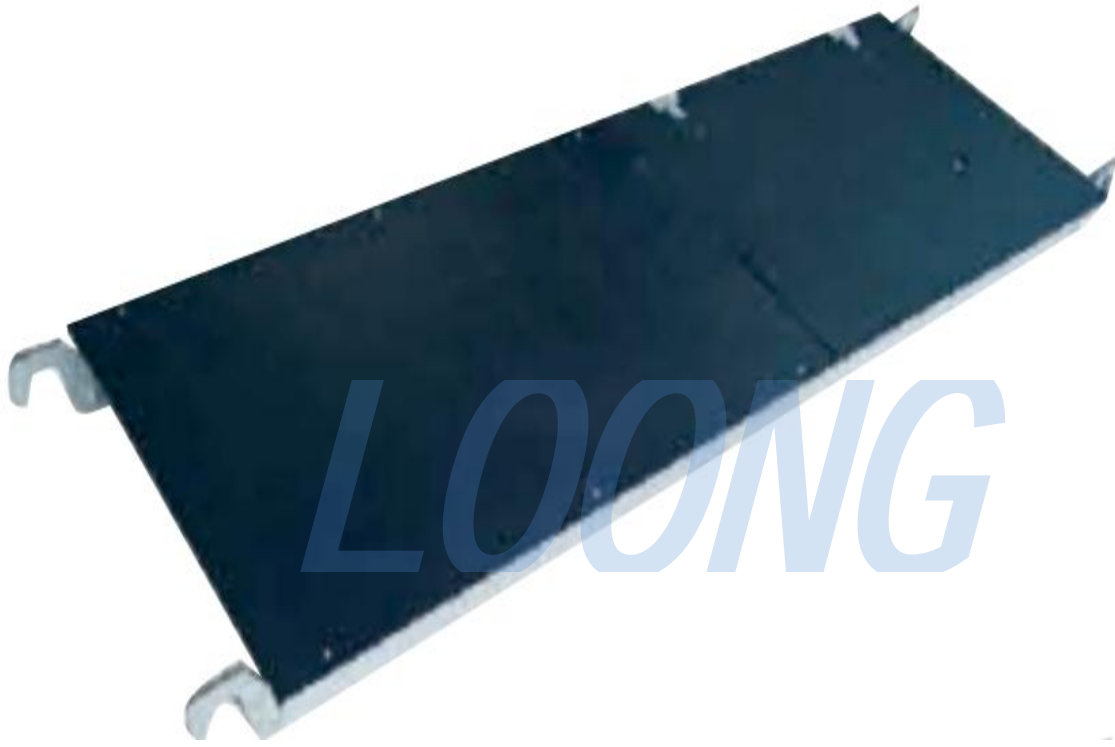
SD3-5

SD3-6

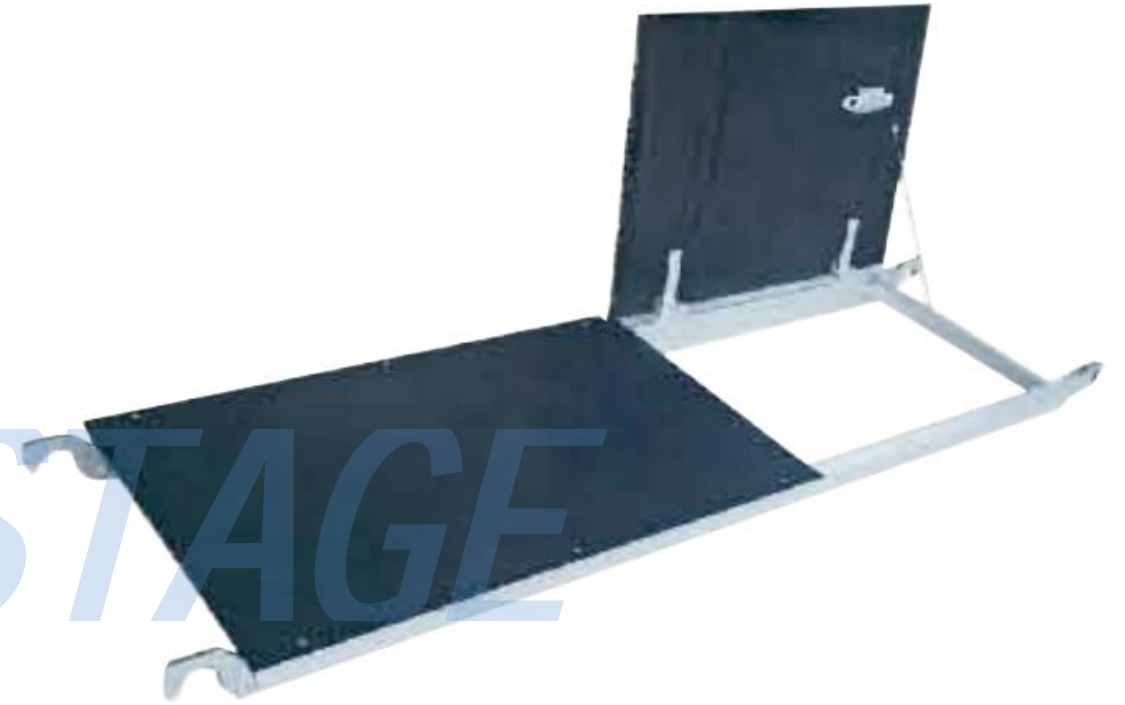
SD3-8



Scaffolding accessories



Platform



Trop Door Platform

Scaffolding accessories



75° Hang Step Stair



SD4-3
SD4-4
SD4-5



45° Diagonal Step
Stair with board



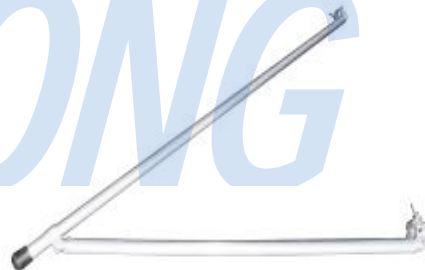
Toe Board

Scaffolding accessories

Guardrail



The Connecting Rod



Long Outrigger



Scaffolds Dolly



Aluminum Ladders



LOOKING STAGE

Aluminum working platform



LOONG STAGE



Aluminum Folding Ramp



FLIGHT CASE



MIC Case



Cable Case



Audio Case



E6

Cable Case



E7

Search Lighting Case



R16U

16U Rack



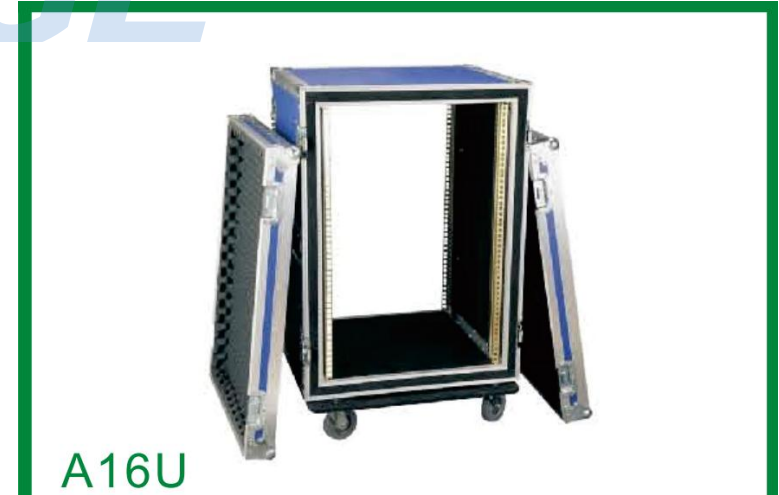
E15

16U Rack With Mixer



A12U

12U Antishock Rack



A16U

16U Antishock Rack

Standard Rack Size(Except for wheels height)
标准机箱尺寸 (不含脚轮高度)

Item NO 编号	Description of Goods 名称	External Dimension 外尺寸		
		Width 宽	Depth 深	Height 高
R2U	2U rack 2U机箱	530mm	680mm	120mm
R4U	4U rack 4U机箱	530mm	680mm	210mm
R6U	6U rack 6U机箱	530mm	680mm	300mm
R8U	8U rack 8U机箱	530mm	680mm	390mm
R10U	10U rack 10U机箱	530mm	680mm	480mm
R12U	12U rack 12U机箱	530mm	680mm	570mm
R14U	14U rack 14U机箱	530mm	680mm	660mm
R16U	16U rack 16U机箱	530mm	680mm	750mm
R18U	18U rack 18U机箱	530mm	680mm	840mm
R20U	20U rack 20U机箱	530mm	680mm	930mm
R22U	22U rack 22U机箱	530mm	680mm	1020mm

Antishock Rack Size(Except for Wheels Height)
防震机箱尺寸 (不含脚轮高度)

Item NO 编号	Description of Goods 名称	External Dimension 外尺寸		
		Width 宽	Depth 深	Height 高
R2U	2U antishock rack 2U防震机箱	610mm	680mm	200mm
R4U	4U antishock rack 4U防震机箱	610mm	680mm	290mm
R6U	6U antishock rack 6U防震机箱	610mm	680mm	380mm
R8U	8U antishock rack 8U防震机箱	610mm	680mm	470mm
R10U	10U antishock rack 10U防震机箱	610mm	680mm	560mm
R12U	12U antishock rack 12U防震机箱	610mm	680mm	650mm
R14U	14U antishock rack 14U防震机箱	610mm	680mm	740mm
R16U	16U antishock rack 16U防震机箱	610mm	680mm	830mm
R18U	18U antishock rack 18U防震机箱	610mm	680mm	920mm
R20U	20U antishock rack 20U防震机箱	610mm	680mm	1010mm
R22U	22U antishock rack 22U防震机箱	610mm	680mm	1100mm

CASE ACCESSORIES



S1
6Holes Corner
6孔直包角



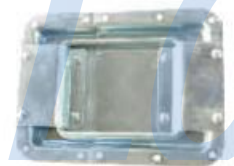
S2
8Holes Corner
8孔直包角



S3
Combined Ball Corner
连体球包



S4
Ball Corner
原包角



S5
Recessed Lid Stay
背撑



S6
Spring Handle
无壳提手



S7
Rubber Handle
胶提手



S8
Spring Handle
提手



S9
3"Wheels
3寸脚轮



S10
4"Wheels
4寸脚轮



S11
Rack Rail With Square Holes
U形铁



S12
Case Lid Stay
折叠支架



S13
Wheel Socket
轮窝



S14
Hinge
合页



S15
Hook Over Hinge
勾式合页



S16
Laminated Plywood
防火饰面板



S17
Small Lock
小锁



S18
Medium Lock
中锁



S19
Large Lock
大锁



S20
Ventilated Dish
散热窗



S21
Pearl Foam
珍珠棉



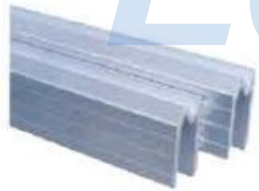
S22
Hard Foam
胶棉



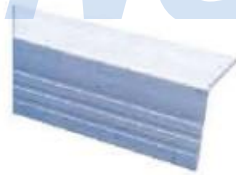
S23
Wave Foam
波浪棉



S24
Rubber Feet
胶角



S25
Aluminium Hybrid
凹凸铝



S26
Aluminium Angle
直角铝

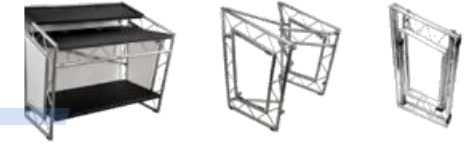


S27
Duty Aluminium Angle
双边角铝

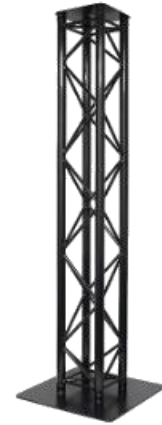
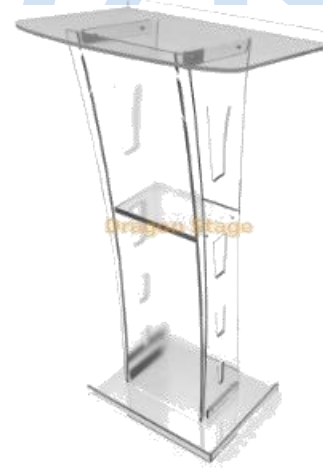
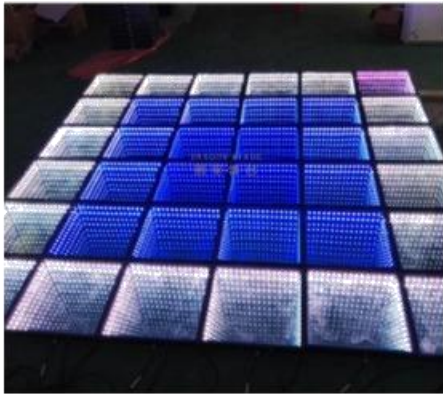


S28
Extendable Stay
伸缩支架

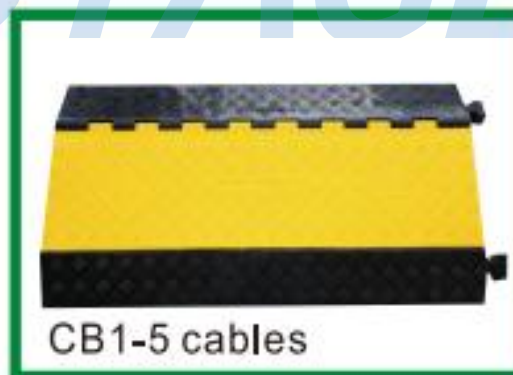
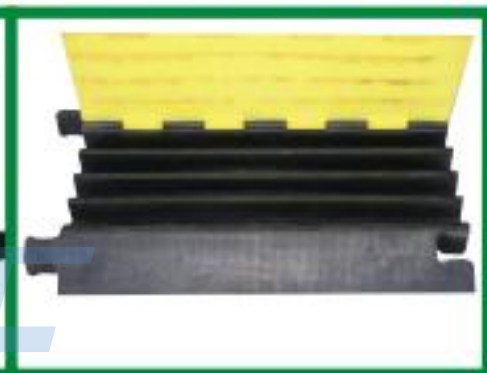
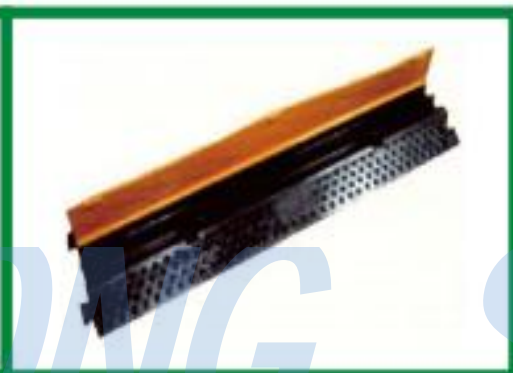
LONG STAGE
OTHER EVENT NEEDS



LONG STAGE

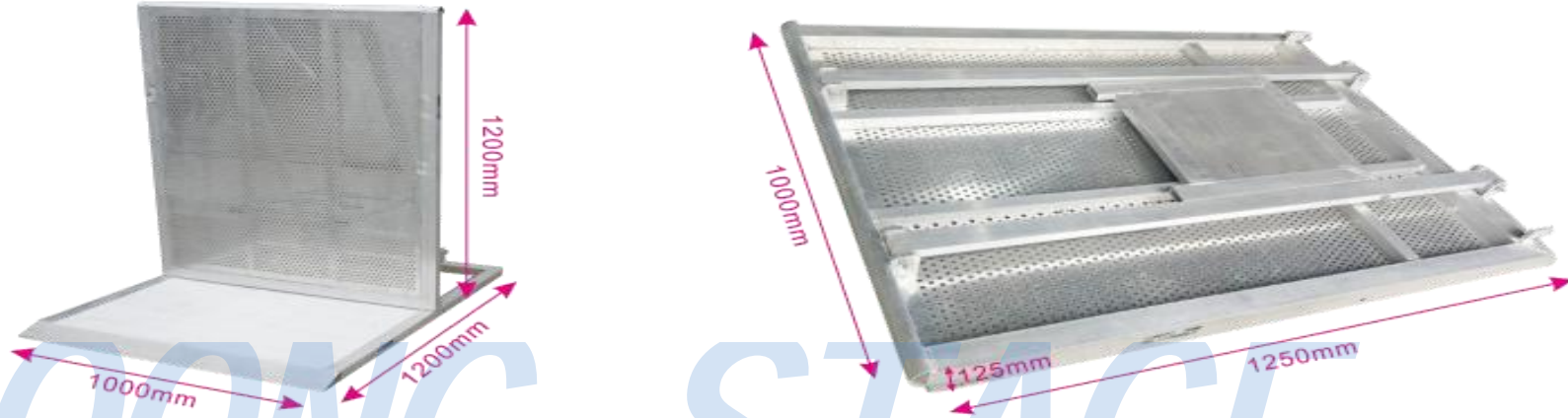


Cable Board
线槽



CROWED BARRICADE

B1
Barricade
防爆栏



LOADING STAGE

B2
Door Barricade
防爆栏



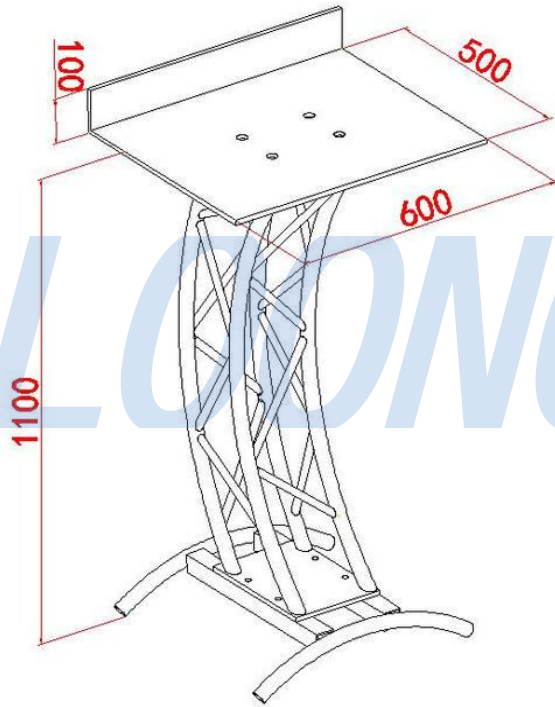
BC1
Barricade Cart
防爆栏运输车



B3
90°-270° Barricade
90°-270° 防爆栏



Church Pulpit





CRANK STAND



A1
Elevator Tower
升降架

Specification 规格

Load Capacity 承重	Max Height 最大高度
200kg(440.9lb)	6m(19.7ft)
250kg(551.2lb)	6.5m(21.3ft)



轻型手摇架(带手摇绞盘)

Load:50kg(110lb)
adjustable high:1.6-4m
(5.2-13.1ft)
with manual winch

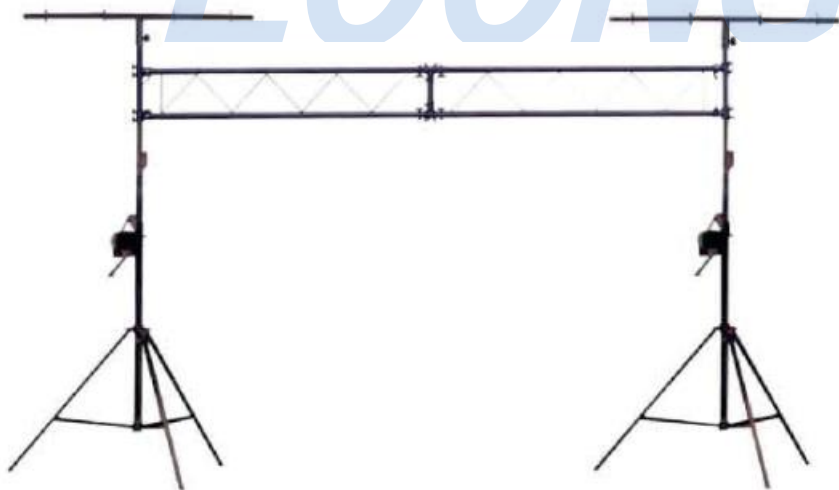


轻型手摇架

Load:50kg(110lb)
adjustable high:1.6-3m
(5.2-9.8ft)
without manual winch

A2 Stand

A3 Stand



A4 Stand



A5 Stand

LOADING STAGE

DJ Booth Stand

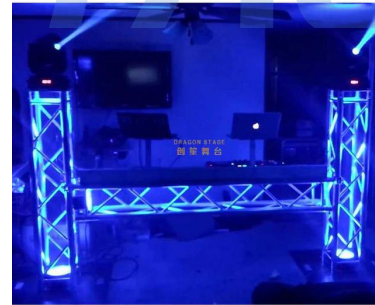
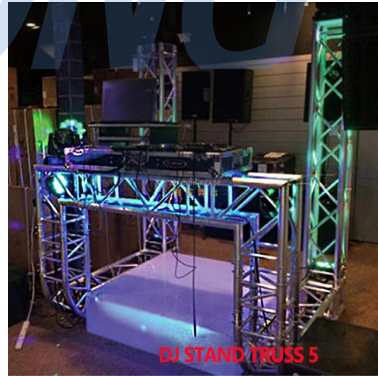
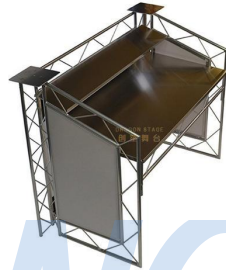


LOOKING STAGE

DJ stand 4



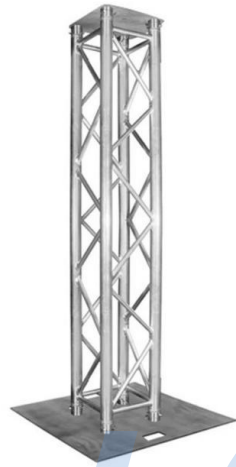
DJ stand 2



DJ STAND TRUSS 3



Totem Truss



LOONG STAGE



8.20 FT.
HEIGHT



LED Screen



Other Event Needs



LONG STAGE



U-Frame Ladder
For ladder set up it is possible to hang max. 10 U-Frame units beneath each other without any extra rigging needed.

U-Frame Design
The center point load of each unit is max. 50kg (110lbs) in stable design configuration.

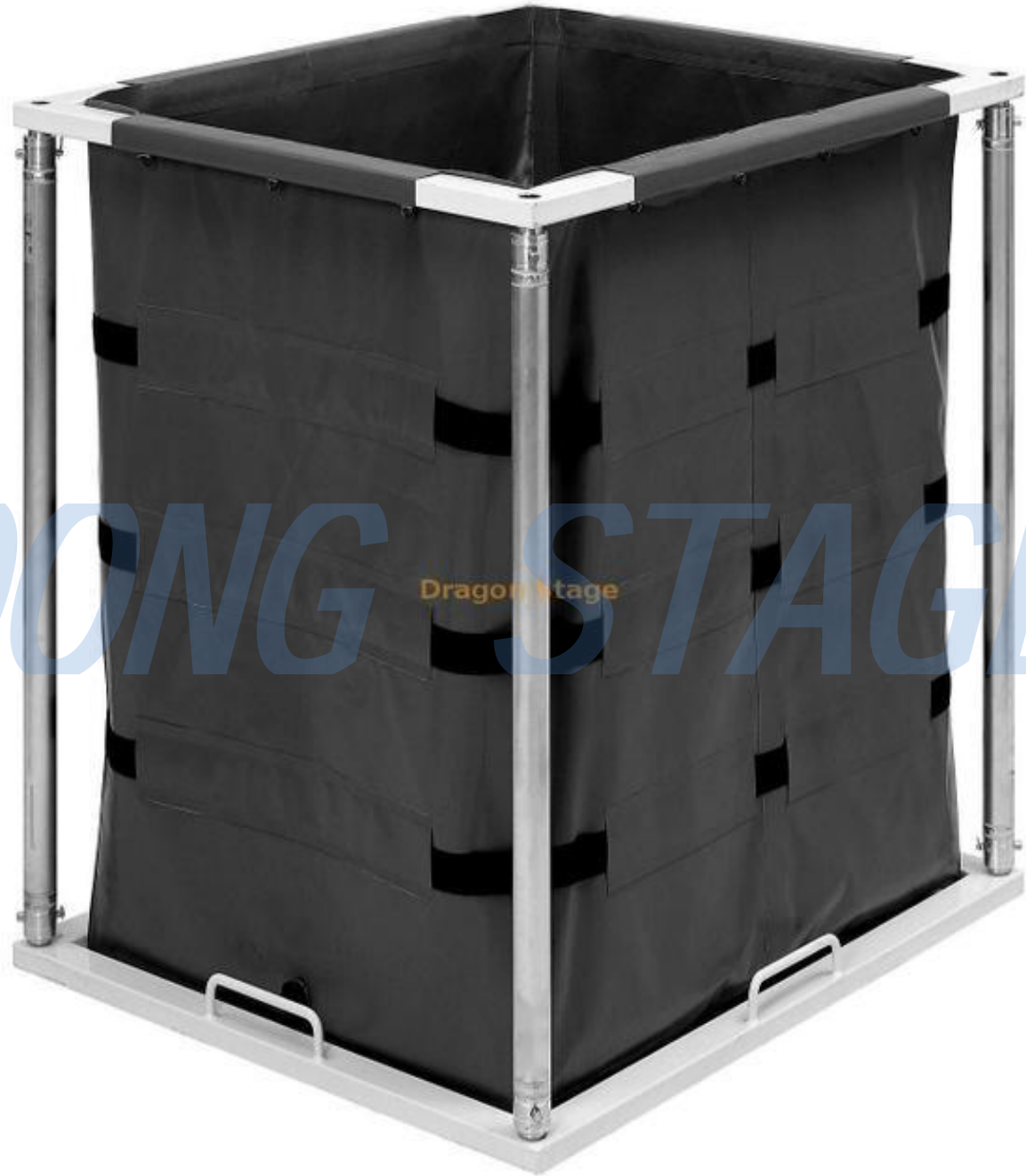




Product: 115cm
capacity: 1-6 persons
air box volume weight: 129kg



LOOKING STAGE



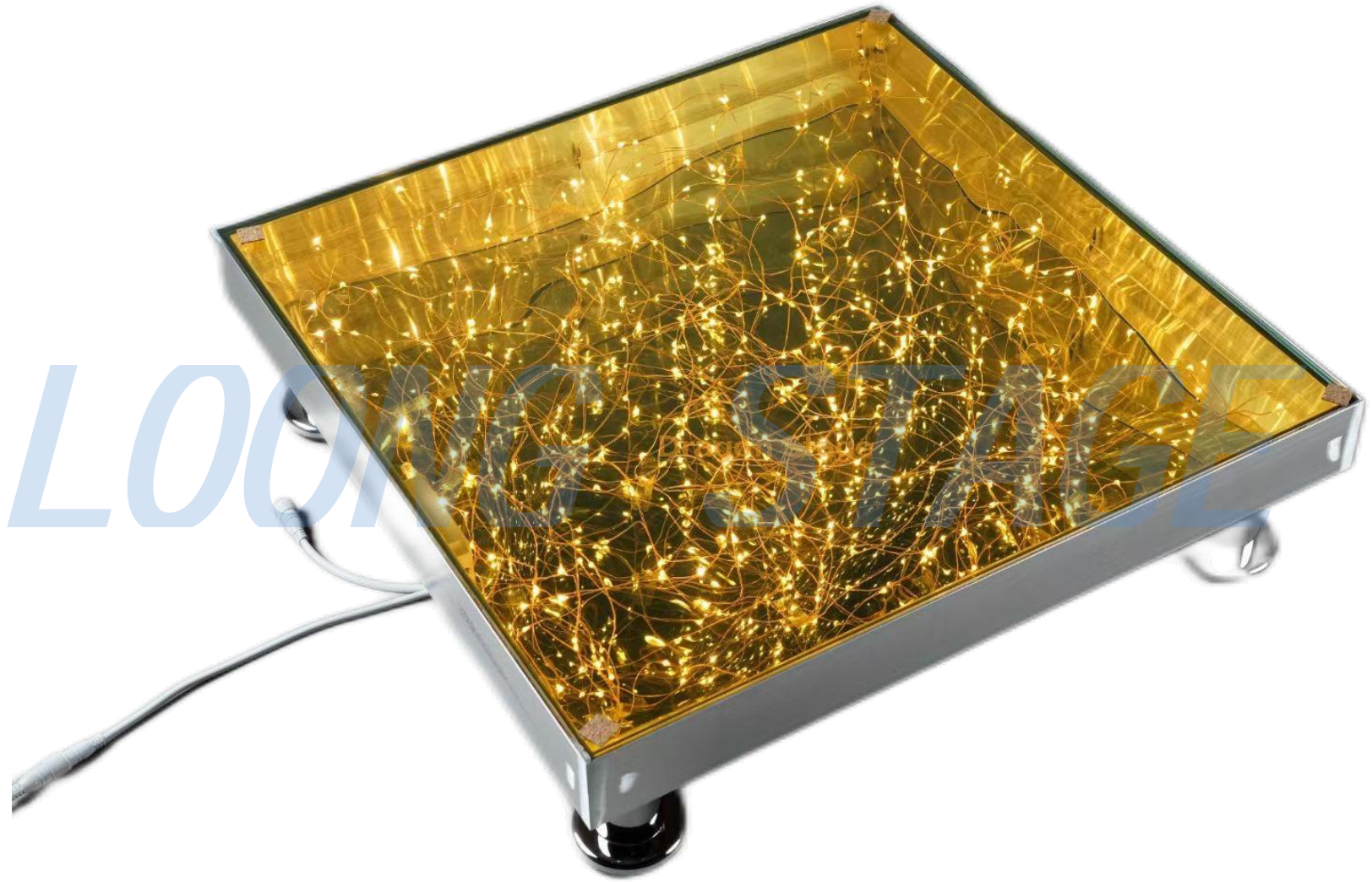
LOONG STAGE





Dragon Stage

LONG STAGE



LOOK

Chair & Table



LOONG STAGE







LOONG STAGE

ROTATING LIGHT TRUSS



Model 型号	A6 rotating light truss 小型旋转灯架
Circle Diameter 圆架直径	1m/1.2m/1.5m/1.8m
Voltage 电压	AC100V-240V/50-60HZ
QTY for lightings 可挂灯数量	6/8/12 pcs
Control Way 控制方式	DMX 512
QTY for Channels 通道数量	Circle=1 CH, 1 lighting=1 CH 旋转灯架=1个通道, 1个灯=1个通道
Load capacity 承重	300kg
Rotating speed 转动速度	3-10sec/round 每圈3-10秒
Features 特点	Small, Practical, light self-weight(Aluminium), easy to set up. 精巧实用, 自身重量轻(铝合金材质), 易于安装。
Application 应用场地	TV station, night club, outdoor event, exhibiton show. 电视台, 酒吧, 室外演出, 展览展示



A7
Reception



A9
Rostrum



A10
Truss lighting cloth

LONG STAGE